

HIGH LUMINANCE OUTPUT IN-GROUND LIGHT



HIGH LUMINANCE OUTPUT IN-GROUND LIGHT



Introduction

High luminance output in-ground is the recessed mounting luminaire for outdoor use. The manufacture process is extremely strict, high quality output with CE, ROHS certified. Its excellent light brings comfort and good experience to the users.

Feature

- Housing 12# Die-casting aluminum dark grey powder coated T=60-80µm Adhesion of ISO class 1/ATM class 4B.
- Front cover hard chrome-plated stainless steel SUS 316L#.
- Light window MS2CFR0125 tempered step glass T=6mm, MS2DFR0126: tempered step glass T=8mm, MS2EFR0129: tempered step glass T=8mm.
- Reflector OPTICS Reflector efficiency≥90%.
- LED NICHIA COB.
- Glass pressure capacity MS2CFR0125 full area=1.195kgs, MS2DFR0126 full area=2.526kgs, MS2EFR0129 full area=2.621kgs.
- Cable gland MS2CFR0125 P68 PG-9 PA66, MS2DFR0126/MS2EFR0129 IP68 PG-11 PA66.
- Gasket Silicon rubber molding shaped seal.
- LED driver constant voltage input, constant current output.
- Power cable output outside of luminaire MS2CFR0125 12V/24V: H05RN-F 2x1.0mm², L=0.5m or 120V/240V: H05RN-F 3x1.0mm², L=0.5m. MS2DFR0126/MS2EFR0129 12V/24V: H07RN-F 2x1.0mm², L=0.5m or 120V/240V: H07RN-F 3x1.0mm², L=0.5m.
- Recessed sleeve material PC/ABS ALLOYS.

Application area

- Applied to garden, patio, yard, lawn, pool deck, pathway, driveway, walkway, etc.

Mounting type

- Recessed mounting.

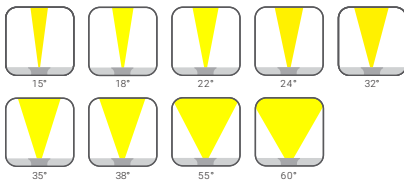
Approval and marking



Feature



Beam angle



Color temperature

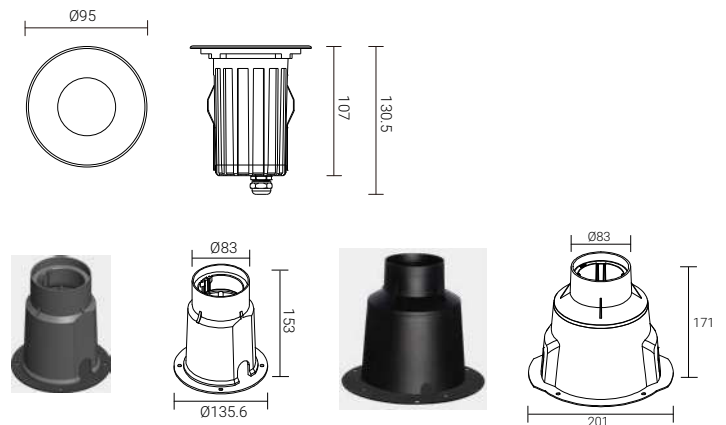
Single

2700K 3000K 4000K 5700K 6500K

Product color

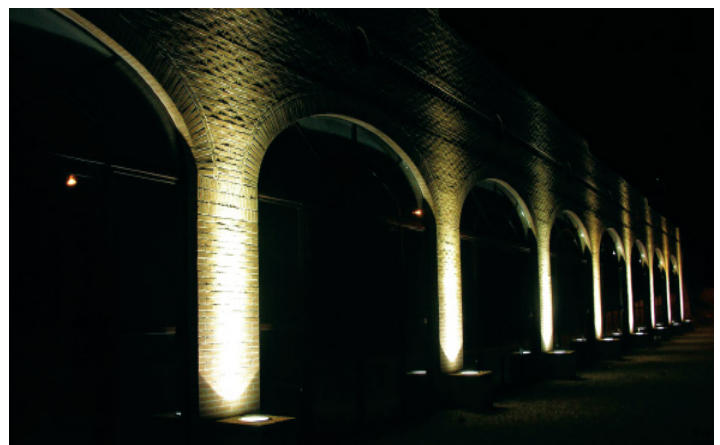


Dimension (mm):



Option 1: mounting sleeve B08

Option 2: mounting sleeve 181#

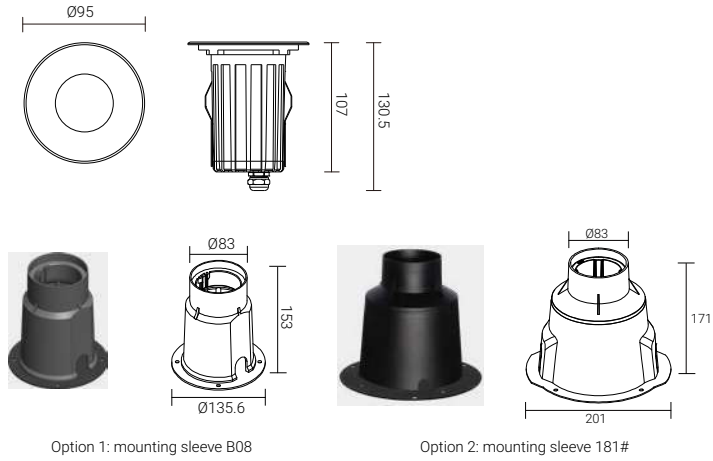


HIGH LUMINANCE OUTPUT IN-GROUND LIGHT

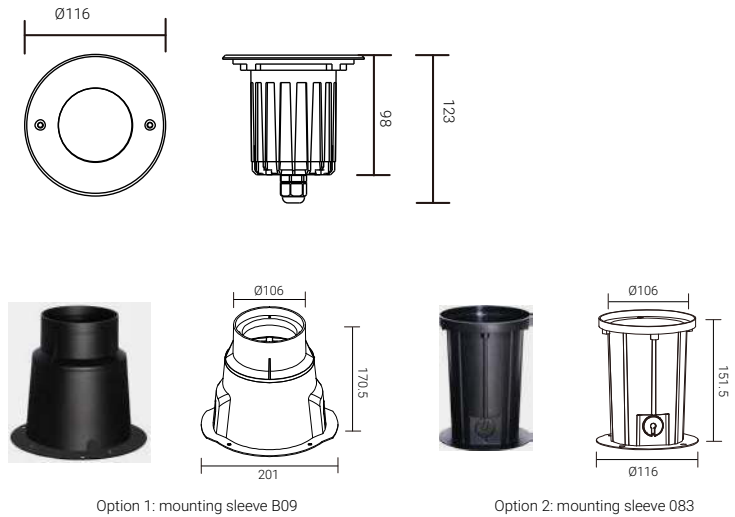
Variant



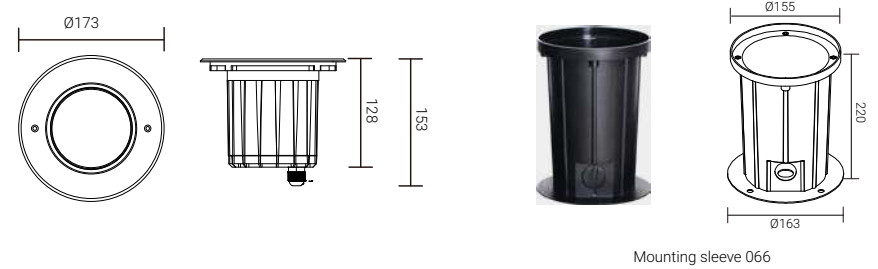
MS2CFR0125-1x5W



MS2DFR0126-1x7W



MS2EFR0129-1x12W

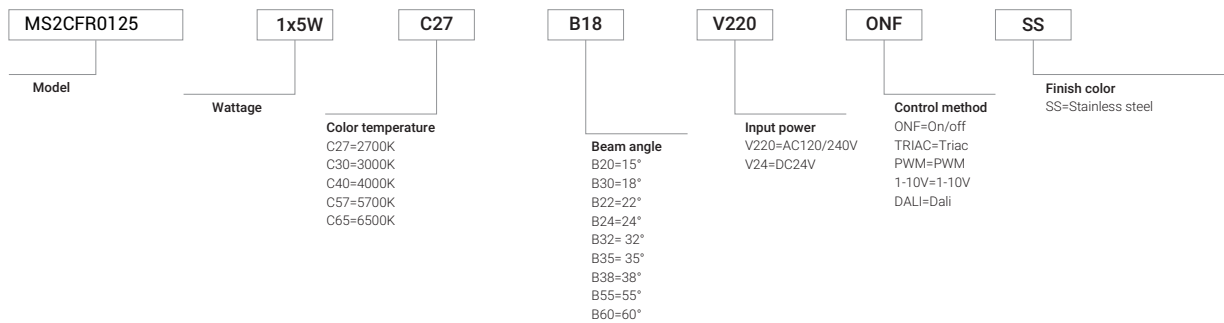


HIGH LUMINANCE OUTPUT IN-GROUND LIGHT

Specification

Model	MS2CFR0125-1x5W	MS2DFR0126-1x7W	MS2EFR0129-1x12W
Led brand	LED COB NICHIA	LED COB NICHIA	LED COB NICHIA
Rated power	1x5W	1x7W	1x12W
Luminous flux	555lm (cool white), 441lm (warm white)	921lm (cool white), 744lm (warm white)	1436lm (cool white), 1389lm (warm white)
Luminous efficacy	111lm/W (cool white), 88.2lm/W (warm white)	131.6lm/W (cool white), 106.3lm/W (warm white)	119.7lm/W (cool white), 115.8lm/W (warm white)
Input voltage	DC24V/AC120/240V 50/60Hz	DC24V/AC120/240V 50/60Hz	DC24V/AC120/240V 50/60Hz
Color temperature	2700K/3000K/4000K/5700K/6500K, Ra>80	2700K/3000K/4000K/5700K/6500K, Ra>80	2700K/3000K/4000K/5700K/6500K, Ra>80
Beam angle	18°/24°/32°	15°/24°/38°/60°	15°/22°/35°/55°
Control method	On/off, Triac, PWM, 1-10V, Dali	On/off, Triac, PWM, 1-10V, Dali	On/off, Triac, PWM, 1-10V, Dali
Protection grade	IP67	IP67	IP67
IK rating	IK09	IK10	IK10
Operating temperature	-20°C~40°C	-20°C~40°C	-20°C~40°C
Product life	35000 hours	35000 hours	35000 hours

Typical order example



Photometric data

MS2CFR0125-1x5W	MS2DFR0126-1x7W	MS2EFR0129-1x12W																																																															
<p>Lux distance cure</p> <table border="1"> <thead> <tr> <th>Center beam LUX</th> <th>Beam width V</th> <th>Beam width H</th> </tr> </thead> <tbody> <tr><td>2m 166.67 LUX</td><td>1.3m</td><td>1.3m</td></tr> <tr><td>4m 41.67 LUX</td><td>2.7m</td><td>2.7m</td></tr> <tr><td>6m 18.52 LUX</td><td>4.0m</td><td>4.0m</td></tr> <tr><td>8m 18.42 LUX</td><td>5.3m</td><td>5.3m</td></tr> <tr><td>10m 6.67 LUX</td><td>6.7m</td><td>6.7m</td></tr> <tr><td>12m 6.43 LUX</td><td>8.0m</td><td>8.0m</td></tr> </tbody> </table> <p>Ver.Spread:36.9 Horiz.Spread:36.9</p>	Center beam LUX	Beam width V	Beam width H	2m 166.67 LUX	1.3m	1.3m	4m 41.67 LUX	2.7m	2.7m	6m 18.52 LUX	4.0m	4.0m	8m 18.42 LUX	5.3m	5.3m	10m 6.67 LUX	6.7m	6.7m	12m 6.43 LUX	8.0m	8.0m	<p>Lux distance cure</p> <table border="1"> <thead> <tr> <th>Center beam LUX</th> <th>Beam width V</th> <th>Beam width H</th> </tr> </thead> <tbody> <tr><td>2m 599.31 LUX</td><td>0.8m</td><td>0.8m</td></tr> <tr><td>4m 149.83 LUX</td><td>1.6m</td><td>1.6m</td></tr> <tr><td>6m 66.59 LUX</td><td>2.5m</td><td>2.4m</td></tr> <tr><td>8m 37.46 LUX</td><td>3.3m</td><td>3.2m</td></tr> <tr><td>10m 23.97 LUX</td><td>4.1m</td><td>4.1m</td></tr> <tr><td>12m 16.65 LUX</td><td>4.9m</td><td>4.9m</td></tr> </tbody> </table> <p>Ver.Spread:23.1 Horiz.Spread:23.0</p>	Center beam LUX	Beam width V	Beam width H	2m 599.31 LUX	0.8m	0.8m	4m 149.83 LUX	1.6m	1.6m	6m 66.59 LUX	2.5m	2.4m	8m 37.46 LUX	3.3m	3.2m	10m 23.97 LUX	4.1m	4.1m	12m 16.65 LUX	4.9m	4.9m	<p>Lux distance cure</p> <table border="1"> <thead> <tr> <th>Center beam LUX</th> <th>Beam width V</th> <th>Beam width H</th> </tr> </thead> <tbody> <tr><td>2m 3087.72 LUX</td><td>0.4m</td><td>0.5m</td></tr> <tr><td>4m 771.93 LUX</td><td>0.9m</td><td>0.9m</td></tr> <tr><td>6m 343.08 LUX</td><td>1.3m</td><td>1.4m</td></tr> <tr><td>8m 192.98 LUX</td><td>1.7m</td><td>1.8m</td></tr> <tr><td>10m 123.51 LUX</td><td>2.2m</td><td>2.3m</td></tr> <tr><td>12m 85.77 LUX</td><td>2.6m</td><td>2.8m</td></tr> </tbody> </table> <p>Ver.Spread:12.3 Horiz.Spread:13.1</p>	Center beam LUX	Beam width V	Beam width H	2m 3087.72 LUX	0.4m	0.5m	4m 771.93 LUX	0.9m	0.9m	6m 343.08 LUX	1.3m	1.4m	8m 192.98 LUX	1.7m	1.8m	10m 123.51 LUX	2.2m	2.3m	12m 85.77 LUX	2.6m	2.8m
Center beam LUX	Beam width V	Beam width H																																																															
2m 166.67 LUX	1.3m	1.3m																																																															
4m 41.67 LUX	2.7m	2.7m																																																															
6m 18.52 LUX	4.0m	4.0m																																																															
8m 18.42 LUX	5.3m	5.3m																																																															
10m 6.67 LUX	6.7m	6.7m																																																															
12m 6.43 LUX	8.0m	8.0m																																																															
Center beam LUX	Beam width V	Beam width H																																																															
2m 599.31 LUX	0.8m	0.8m																																																															
4m 149.83 LUX	1.6m	1.6m																																																															
6m 66.59 LUX	2.5m	2.4m																																																															
8m 37.46 LUX	3.3m	3.2m																																																															
10m 23.97 LUX	4.1m	4.1m																																																															
12m 16.65 LUX	4.9m	4.9m																																																															
Center beam LUX	Beam width V	Beam width H																																																															
2m 3087.72 LUX	0.4m	0.5m																																																															
4m 771.93 LUX	0.9m	0.9m																																																															
6m 343.08 LUX	1.3m	1.4m																																																															
8m 192.98 LUX	1.7m	1.8m																																																															
10m 123.51 LUX	2.2m	2.3m																																																															
12m 85.77 LUX	2.6m	2.8m																																																															



HIGH LUMINANCE OUTPUT IN-GROUND LIGHT

Accessory



Honeycomb louver
MAMH005-HO



Honeycomb louver
MAMH006-HO



Honeycomb louver
MAMH007-HO

MS2CFR0125-1x5W



MS2DFR0126-1x7W



MS2EFR0129-1x12W

