

MINI SIZE LED IN-GROUND LIGHT



MINI SIZE LED IN-GROUND LIGHT



Introduction

Mini size LED in-ground light is the recessed mounting luminaire for outdoor use. The manufacture process is extremely strict, high quality output with CE, ROHS certified. Its excellent light brings comfort and good experience to the users.

Feature

- Front cover 316# stainless steel forged molding with hard chrome plated.
- Housing 6063# grey anti-corrosion powder coating aluminum T=60-80μm adhesion of ISO class 1/ASTM class 4B.
- Light window tempered step glass, T=4mm.
- Gasket silicon rubber molding shaped seal.
- Power cable outside of luminaire H05RN-F 2x1.0mm², L=0.5m.
- Cable gland IP67 nickel coated copper.
- LED driver constant current input.
- Lens PMMA.
- Mounting recessed PC/ABS ALLOYS.
- Glass pressure capacity full area=254kgs.
- Warranty 3 year.

Application area

- Applied to garden, patio, yard, lawn, pool deck, pathway, driveway, walkway, etc.

Mounting type

- Recessed mounting.

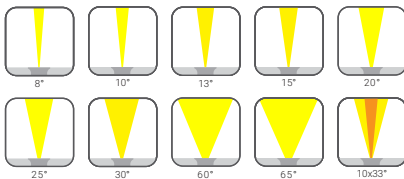
Approval and marking



Feature



Beam angle



Color temperature

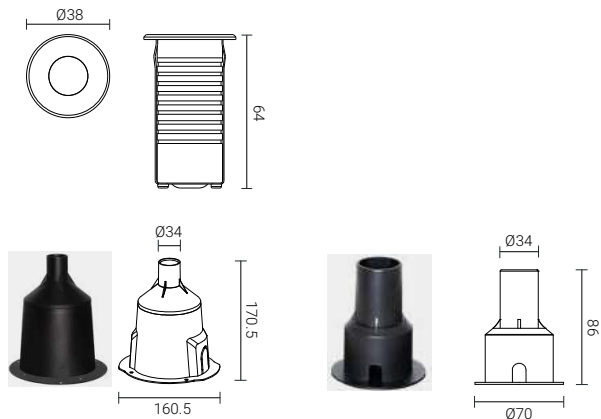
Single

2700K 3000K 4000K 5700K 6500K

Product color

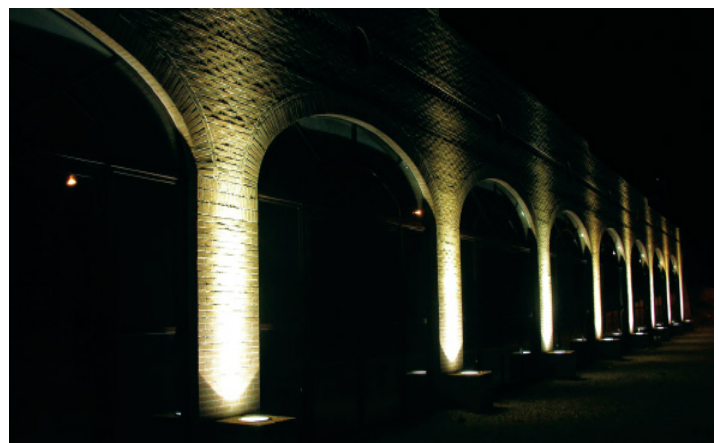


Dimension (mm):



Option 1: Mounting sleeve A04

Option 2: Mounting sleeve 183#

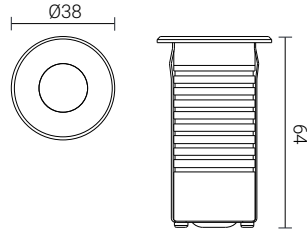


MINI SIZE LED IN-GROUND LIGHT

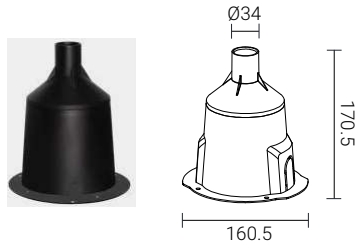
Variant



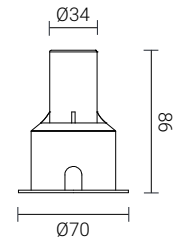
MS2YBR0157-1x1.5W



MS2YBR0134-1x0.5W



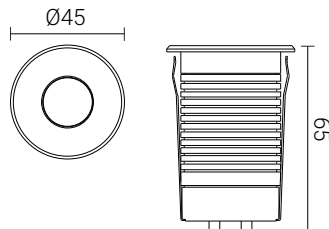
Option 1: Mounting sleeve A04



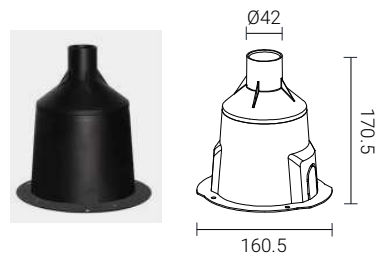
Option 2: Mounting sleeve 183#



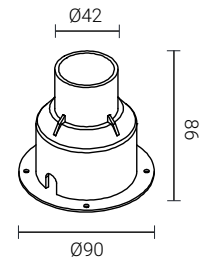
MS2YCR0157-1x2W



MS2YCR0134-1x0.5W



Option 1: Mounting sleeve A05



Option 2: Mounting sleeve 182#



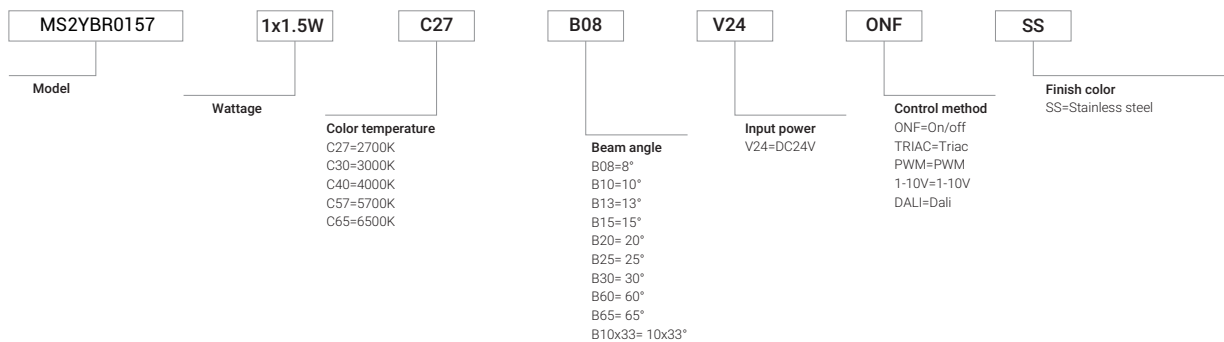
MINI SIZE LED IN-GROUND LIGHT

Specification

Model	MS2YBR0157-1x1.5W	MS2YBR0134-1x0.5W
Led brand	LED COB OSRAM	LED COB NICHIA
Rated power	1x1.5W	1x0.5W
Luminous flux	145lm	31lm
Luminous efficacy	96.7lm/W	62lm/W
Input voltage	DC24V	DC24V
Color temperature	2700K/3000K/4000K/5700K/6500K	2700K/3000K/4000K/5700K/6500K
Beam angle	10°/15°/20°/30°/10x33°	65°
Control method	On/off, Triac, PWM, 1-10V, Dali	On/off, Triac, PWM, 1-10V, Dali
Protection grade	IP67	IP67
IK rating	IK03	IK03
Operating temperature	-20°C~40°C	-20°C~40°C
Product life	35000 hours	35000 hours

Model	MS2YCR0157-1x2W	MS2YCR0134-1x0.5W
Led brand	LED COB OSRAM	LED COB NICHIA
Rated power	1x2W	1x0.5W
Luminous flux	147lm	23lm
Luminous efficacy	73.5lm/W	46lm/W
Input voltage	DC24V	DC24V
Color temperature	2700K/3000K/4000K/5700K/6500K	2700K/3000K/4000K/5700K/6500K
Beam angle	8/13°/25°/30°	60°
Control method	On/off, Triac, PWM, 1-10V, Dali	On/off, Triac, PWM, 1-10V, Dali
Protection grade	IP67	IP67
IK rating	IK03	IK03
Operating temperature	-20°C~40°C	-20°C~40°C
Product life	35000 hours	35000 hours

Typical order example



MINI SIZE LED IN-GROUND LIGHT

Photometric data

