



MAXI 5

FLOODLIGHTS AND PROJECTORS



MAXI 5



Introduction

MAXI 5 is the super high architectural floodlight series, adopt isolated body and driver space structure design to separated dissipation for fully ensuring the stability and long lifespan of LED light. With multi-way rotate function of special H-support base to meet various occasions demands for outdoor projects.

Features

- High pressure die-casting aluminum housing.
- High strength toughened glass.
- Inclined cover and honey comb accessories for anti glare options.
- Surface finish with fluorine carbon spraying ensuring high corrosion resistance, resist the impact and friction.
- LED module: High-Power LEDs on metal-core PCB.
- High-efficiency PMMA lens with various beam angle option.
- Adopt American CREE original LED light source, high flux output, excellent consistency of color, OSRAM light source option.
- Input power supply AC100-305V driver for both On/Off control method and DMX512, RDM control method.
- Single color with various temperature option: 2700K/3000K/4000K/5000K/6000K.
- Dynamic color with RGBW option have gray level reach 65,536 degree equally make the light result is more beautiful.
- Powerful DMX512 interface adopt high reliable bus connect, all has the function of automatic addressing.
- Remote Device Management (RDM) is an enhancement of DMX, allowing full bi-directional control and communication for simple, convenient commissioning.

Applications areas

- Facade of outdoor buildings, billboards, area, port etc.

Mounting type

- Surface mounting.

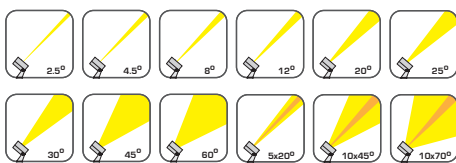
Approvals and markings



Feature



Beam angle



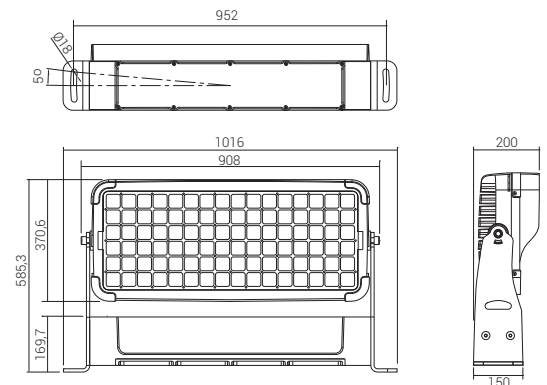
Color temperature

- | | |
|---------------|----------------|
| Single | Dynamic |
| • 2700K | • RGBW |
| • 3000K | |
| • 4000K | |
| • 5000K | |
| • 6000K | |

Product color



Dimension (mm):



MS3HMA1269UE/F/L/H
(u-shaped bracket)



We reserve the right to make technical and design changes.

Date: 12-03-2021

THIEN MINH MECHANICAL - ELECTRIC JSC

Head office: MESTAR Building, No. 98/11 Ung Van Khiem Street, Ward 25, Binh Thanh District, Ho Chi Minh City, Vietnam.

Tel: (84) 28.3899 4790 - Email: mestar@mestar.vn - Web: www.mestar.vn

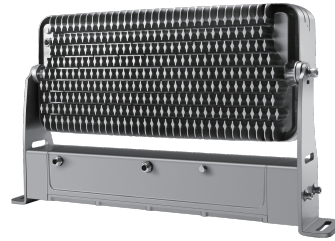
Ha Noi Office: TT4.18, Xuan Phuong Tasco Urban Area, Xuan Phuong Ward, Nam Tu Liem District, Hanoi City, Vietnam.

Tel: (84) 24.3222 2411

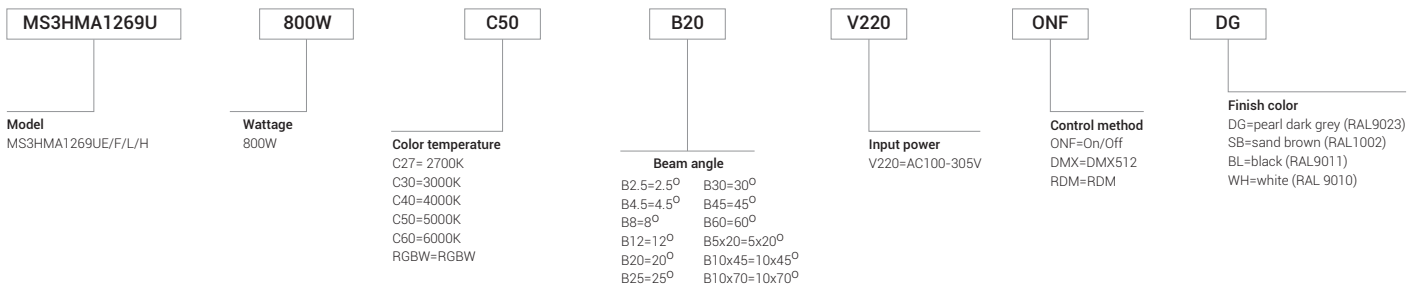


MAXI 5

Product view

Front side

Back side
Specification

Model	MS3HMA1269UE-800W	MS3HMA1269UF-800W	MS3HMA1269UL-800W	MS3HMA1269UH-800W
Led brand	CREE XP-L/OSRAM P9	CREE RGBW 4 in 1	OSRAM RGBW	CREE XHP50
Led quantity	96pcs	96pcs	96pcs	96pcs
Rated power	800W	800W	800W	800W
Lumen	52000lm (±10%)	36000lm (±10%)	36000lm (±10%)	52000lm (±10%)
Input voltage	AC100-305V	AC100-305V	AC100-305V	AC100-305V
Frequency range	50/60Hz	50/60Hz	50/60Hz	50/60Hz
Color	Single	RGBW	RGBW	Single
Beam angle	2.5° 4.5° 8° 12° 20° 30° 45° 60° 10x70° 5x20°	8° 25° 10x45°	4.5°	8° 12° 20° 30° 60° 10x70°
Control method	On/Off	DMX512, RDM	DMX512, RDM	On/Off
Protection grade	IP66	IP66	IP66	IP66
Ambient temperature	-25°C~50°C	-25°C~50°C	-25°C~50°C	-25°C~50°C
Ambient humidity	10%~90%	10%~90%	10%~90%	10%~90%
Product life	80000H	80000H	80000H	80000H

Typical order example


We reserve the right to make technical and design changes.

Date: 12-03-2021

THIEN MINH MECHANICAL - ELECTRIC JSC

Head office: MESTAR Building, No. 98/11 Ung Van Khiem Street, Ward 25, Binh Thanh District, Ho Chi Minh City, Vietnam.

Tel: (84) 28.3899 4790 - Email: mestar@mestar.vn - Web: www.mestar.vn

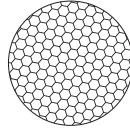
Ha Noi Office: TT4.18, Xuan Phuong Tasco Urban Area, Xuan Phuong Ward, Nam Tu Liem District, Hanoi City, Vietnam.

Tel: (84) 24.3222 2411



MAXI 5

Accessories



Honeycomb grill
MA-1269-HGR

MS3HMA1269UE-800W	•
MS3HMA1269UF-800W	•
MS3HMA1269UL-800W	•
MS3HMA1269UH-800W	•

Connection Accessories



Connector 3 pin - IP68

MA-M684-03



T Connector 3 pin - IP68

MA-M685T-03



Y Connector - IP68

MA-M685Y-03



Junction box 3 holes - IP68

MA-M686-03

