



Introduction

MAXI 5 is the super high architectural floodlight series, adopt isolated body and driver space structure design to separated dissipation for fully ensuring the stability and long lifespan of LED light. With multi-way rotate function of special H-support base to meet various occasions demands for outdoor projects.

Features

- High pressure die-casting aluminum housing.
- High strength toughened glass.
- Inclined cover and honey comb accessories for anti glare options.
- Surface finish with fluorine carbon spraying ensuring high corrosion resistance, resist the impact and friction.
- LED module: High-Power LEDs on metal-core PCB.
- High-efficiency PMMA lens with various beam angle option.
- Adopt American CREE original LED light source, high flux output, excellent consistency of color, OSRAM light source option.
- Input power supply AC100-305V driver for both On/Off control method.
- Single color with various temperature option: 2700K/3000K/4000K/5000K/6000K.

Applications areas:

- Facade of outdoor buildings, billboards, area, port etc.

Installation:

- Surface mounting.

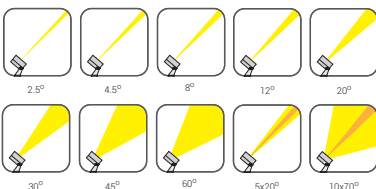
Approvals and markings



Feature



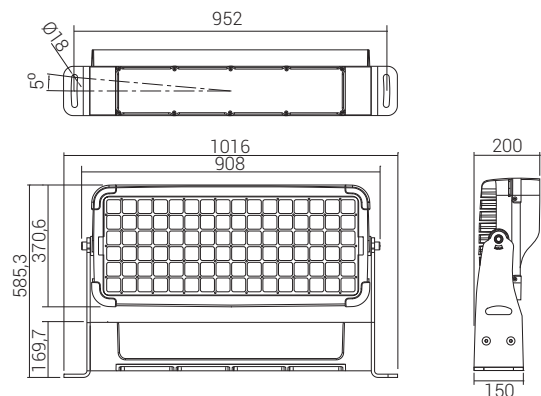
Beam angle



Product color



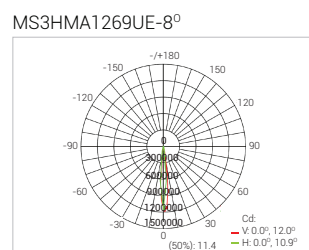
Dimension: (mm)



Technical information

• Model	: MS3HMA1269UE-800W
• Material	: Die-casting aluminium
• Lamp	: CREE XP-L/OSRAM P9
• Power	: 800W
• Luminous flux	: 52000lm ±10%
• CCT/Ra	: 2700K/ 3000K/ 4000K/ 5000K/ 6000K
• Efficacy	: 65lm/w
• Beam angle	: 8°
• Control method	: On/off
• Product color	: Pearl dark grey
• Ambient temperature	: -25°C~50°C
• Input voltage	: 100-305V~ 50/60Hz
• Product life	: 80.000hrs

Photometric Data



We reserve the right to make technical and design changes.

THIEN MINH MECHANICAL - ELECTRIC JSC

Head office: MESTAR Building, No. 98/11 Ung Van Khiem Street, Ward 25, Binh Thanh District, Ho Chi Minh City, Vietnam

Tel: (84) 28.3899 4790 - Email: mestar@mestar.vn - Web: www.mestar.vn

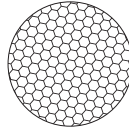
Ha Noi Office: TT4.18, Xuan Phuong Tasco Urban Area, Xuan Phuong Ward, Nam Tu Liem District, Hanoi City, Vietnam.

Tel: (84) 24.3222 2411



MAXI 5-FLOODLIGHTS AND PROJECTORS

Accessories



Honeycomb grill

MA-1269-HGR

MS3HMA1269UE-800W

Connection Accessories



Connector 3 pin - IP68

MA-M684-03

T Connector 3 pin - IP68

MA-M685T-03

Y Connector - IP68

MA-M685Y-03

Junction box 3 holes - IP68

MA-M686-03

We reserve the right to make technical and design changes.

THIEN MINH MECHANICAL - ELECTRIC JSC

Head office: MESTAR Building, No. 98/11 Ung Van Khiem Street, Ward 25, Binh Thanh District, Ho Chi Minh City, Vietnam.

Tel: (84) 28.3899 4790 - Email: mestar@mestar.vn - Web: www.mestar.vn

Ha Noi Office: TT4.18, Xuan Phuong Tasco Urban Area, Xuan Phuong Ward, Nam Tu Liem District, Hanoi City, Vietnam.

Tel: (84) 24.3222 2411

