



MODEL: **MS3HMA1269UL-800W**

### Introduction

MAXI 5 is the super high architectural floodlight series, adopt isolated body and driver space structure design to separated dissipation for fully ensuring the stability and long lifespan of LED light. With multi-way rotate function of special H-support base to meet various occasions demands for outdoor projects.

### Features

- High pressure die-casting aluminum housing.
- High strength toughened glass.
- Inclined cover and honey comb accessories for anti glare options.
- Surface finish with fluorine carbon spraying ensuring high corrosion resistance, resist the impact and friction.
- LED module: High-Power LEDs on metal-core PCB.
- High-efficiency PMMA lens with various beam angle option.
- Adopt American CREE original LED light source, high flux output, excellent consistency of color, OSRAM light source option.
- Input power supply AC100-305V driver for both DMX512 control method.
- Dynamic color with RGBW option have gray level reach 65,536 degree equally make the light result is more beautiful.
- Powerful DMX512 interface adopt high reliable bus connect, all has the function of automatic addressing.

### Applications areas:

- Facade of outdoor buildings, billboards, area, port etc.

### Installation:

- Surface mounting.

### Approvals and markings



### Feature



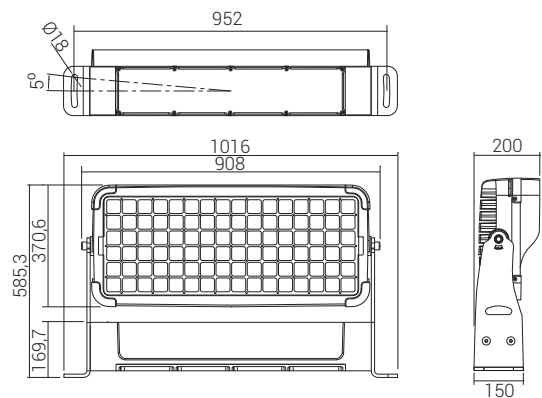
### Beam angle



### Product color



### Dimension: (mm)



### Technical information

• Model	: MS3HMA1269UL-800W
• Material	: Die-casting aluminium
• Lamp	: OSRAM RGBW
• Power	: 800W
• Luminous flux	: 36000lm ±10%
• CCT/Ra	: RGBW
• Efficacy	: 45lm/w
• Beam angle	: 4.5°
• Control method	: DMX512
• Product color	: Pearl dark grey
• Ambient temperature	: -25°C~50°C
• Input voltage	: 100-305V~ 50/60Hz
• Product life	: 80.000hrs



We reserve the right to make technical and design changes.

THIEN MINH MECHANICAL - ELECTRIC JSC

Head office: MESTAR Building, No. 98/11 Ung Van Khiem Street, Ward 25, Binh Thanh District, Ho Chi Minh City, Vietnam

Tel: (84) 28.3899 4790 - Email: mestar@mestar.vn - Web: www.mestar.vn

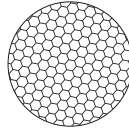
Ha Noi Office: TT4.18, Xuan Phuong Tasco Urban Area, Xuan Phuong Ward, Nam Tu Liem District, Hanoi City, Vietnam.

Tel: (84) 24.3222 2411



## MAXI 5-FLOODLIGHTS AND PROJECTORS

### Accessories



Honeycomb grill

**MA-1269-HGR**

MS3HMA1269UL-800W

### Connection Accessories



Connector 3 pin - IP68

**MA-M684-03**

T Connector 3 pin - IP68

**MA-M685T-03**

Y Connector - IP68

**MA-M685Y-03**

Junction box 3 holes - IP68

**MA-M686-03**

We reserve the right to make technical and design changes.

THIEN MINH MECHANICAL - ELECTRIC JSC

Head office: MESTAR Building, No. 98/11 Ung Van Khiem Street, Ward 25, Binh Thanh District, Ho Chi Minh City, Vietnam.

Tel: (84) 28.3899 4790 - Email: mestar@mestar.vn - Web: www.mestar.vn

Ha Noi Office: TT4.18, Xuan Phuong Tasco Urban Area, Xuan Phuong Ward, Nam Tu Liem District, Hanoi City, Vietnam.

Tel: (84) 24.3222 2411

