

PLATE 2-FLOODLIGHTS



MODEL: **MS3HPL1260FB-60W**

Introduction

PLATE 2 is rectangle surface architectural floodlight series, adopt isolate structure to fully ensure the stability and long lifespan of LED light. With multiway rotate function of u-shaped bracket mounting and flange base are available to meet various occasions demands for outdoor projects.

Features

- High pressure die-casting aluminum housing.
- High strength toughened glass.
- Surface finish with fluorine carbon spraying ensuring high corrosion resistance, resist the impact and friction.
- Optics available: Asymmetrical reflector for wall washer, convex cap for spot lighting.
- LED module: high-power LEDs on metal-core PCB.
- High-efficiency PMMA lens with various beam angle option.
- Adopt American CREE original LED light source, high flux output, excellent consistency of color. NICHIA/LU-MILEDS
- LED light source for asymmetric beam flood light option.
- Constant current AC90-265V driver with On/Off control method.
- Single color with various temperature option: 2700K/3000K/4000K/5000K/6000K.

Applications areas:

- Facade of outdoor buildings, billboards, sculptures etc.

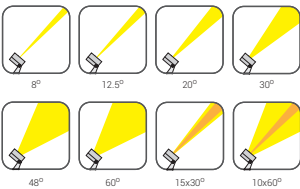
Installation:

- Surface mounting.

Approvals and markings



Beam angle



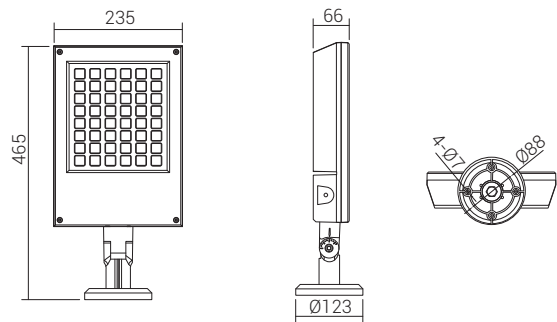
Product color



Technical information

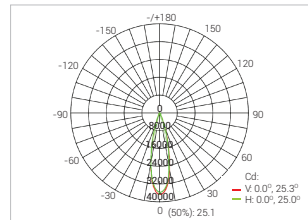
• Model	: MS3HPL1260FB-60W
• Material	: Die-casting aluminium
• Lamp	: CREE
• Power	: 60W
• Luminous flux	: 3900lm ±10%
• CCT/Ra	: 2700K/ 3000K/ 4000K/ 5000K/ 6000K
• Efficacy	: 65lm/w
• Beam angle	: 8°/ 12.5°/ 20°/ 30°/ 48°/ 60°/ 15x30°/ 10x60°
• Control method	: On/off
• Product color	: Pearl dark grey
• Ambient temperature	: -25°C~50°C
• Input voltage	: 90-265V~ 50/60Hz
• Product life	: 50.000hrs

Dimension: (mm)



Photometric Data

MS3HPL1260FB-60W



We reserve the right to make technical and design changes.

THIEN MINH MECHANICAL - ELECTRIC JSC

Head office: MESTAR Building, No. 98/11 Ung Van Khiem Street, Ward 25, Binh Thanh District, Ho Chi Minh City, Vietnam
 Tel: (84) 28.3899 4790 - Email: mestar@mestar.vn - Web: www.mestar.vn

Ha Noi Office: TT4.18, Xuan Phuong Tasco Urban Area, Xuan Phuong Ward, Nam Tu Liem District, Hanoi City, Vietnam.
 Tel: (84) 24.3222 2411

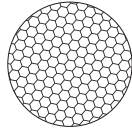


PROJECT DATA Assigned code :

Project : Location :

Approved by : Date :

Accessories



Honeycomb grill
MA-1260-HGR



Anti-glare shield
MA-1260-AGV

MS3HPL1260FB-60W	•	•
------------------	---	---

Connection Accessories



Connector 3 pin - IP68

MA-M684-03



T Connector 3 pin - IP68

MA-M685T-03



Y Connector - IP68

MA-M685Y-03



Junction box 3 holes - IP68

MA-M686-03

We reserve the right to make technical and design changes.

