

VIVID S3

FLEXIBLE LINEAR LIGHT

We reserve the right to make technical and design changes.

Date: 22-03-2021

THIEN MINH MECHANICAL - ELECTRIC JSC

Head office: MESTAR Building, No. 98/11 Ung Van Khiem Street, Ward 25, Binh Thanh District, Ho Chi Minh City, Vietnam.

Tel: (84) 28.3899 4790 - Email: mestar@mestar.vn - Web: www.mestar.vn

Ha Noi Office: TT4.18, Xuan Phuong Tasco Urban Area, Xuan Phuong Ward, Nam Tu Liem District, Hanoi City, Vietnam.

Tel: (84) 24.3222 2411



VIVID S3



MODEL: M18SVS1018S

Introduction

VIVID S3, the most reliable dot-free silicon flexible linear light, horizontal bend-able, offers seamless fittings built to preserve light uniformity. Engineered for on-site configuration and assembly makes VIVID S3 the definite solution for architectural accents and signage. VIVID S3 flexibility is just one of the many outstanding features which allow designers to explore organic shapes and advanced patterns, previously not possible.

Features

- Horizontal bend-able.
- Unique optical light distribution structure design, uniform lighting surface and no shadow.
- High light transmittance, environmental protection grade silicone material, integrated extrusion molding process.
- Flexible and cuttable module to support design freedom.
- Long operational length per single power feed possible up to 33m for CC PCB type, 5m for CV PCB type.
- 24V technology for easy dimensioning.
- IP67 protection level, salt solution resistance, acids & alkalis, corrosive gases, fire and UV.
- Excellent toughness, simple and stylish appearance, delicate and unique.
- Reliable connection over long periods of time: IP66/67 connector with built-in protection against liquids penetrating through the wires into the LED strip.
- L70/B50 > 50,000hrs

Applications areas

- Architectural façade lighting
- General and cove lighting
- Glass grazing illumination

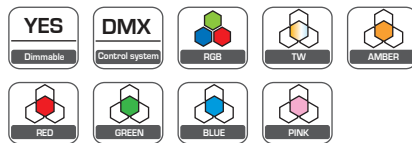
Mounting type

- Surface mount with aluminium clips or aluminium profile.

Approvals and markings



Feature



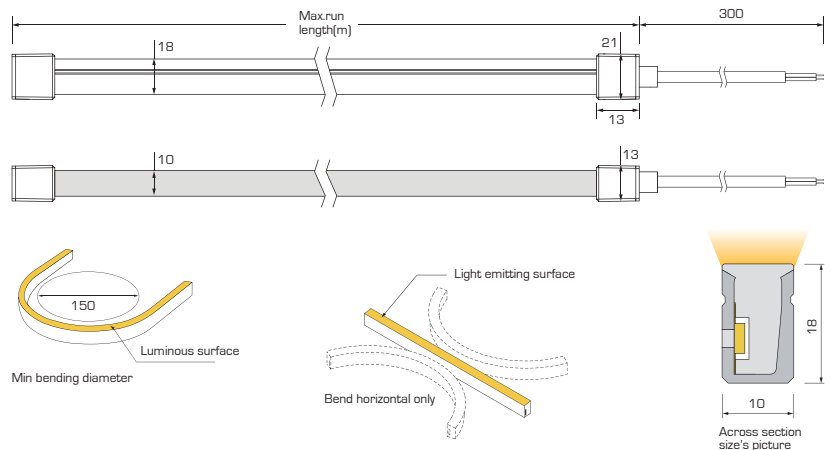
Beam angle



Color temperature

- | | |
|---------------|----------------|
| Single | Dynamic |
| • 2100K | • TW |
| • 2400K | • RGB |
| • 2700K | • RGBW |
| • 3000K | |
| • 3500K | |
| • 4000K | |
| • 5000K | |
| • 6000K | |
| • Red | |
| • Green | |
| • Blue | |
| • Amber | |
| • Pink | |

Dimension (mm):



VIVID S3

Technical data

Power (W/m)	Finished CCT (K)	Lumen (LM/m)	Efficacy (LM/w)	Unit cut (mm)	Max.run length (m)	PCB type
5	R	16.8	9.9	62.5	5	CV
	G	50.2	29.5			
	B	9.3	5.5			
	RGB	77.4	15.5			
10	R	35.7	10.8	62.5	5	CV
	G	90.4	29.8			
	B	20.3	6.2			
	RGB	152.	15.2			
15	R	51.7	10.3	62.5	5	CV
	G	108	21.6			
	B	21.3	4.3			
	RGB	108	12			

- TW: Tunable white, Testing CCT: 2700K+5400K
- Max series length refers to single side feed
- The above color temperature is the finished-product color temperature.
- The given data are typical values due to the tolerance of the production and electrical components, output value and electrical power can vary up to 10%
- Please don't walk on it without protection.

Horizontal Bending

Vertical Bending

Only One Bin

3-Step MacAdam

UV Protection

Resistant to solvents

Ingress protec Grade

LM80 Standard

Resistant Saltwater

Technical data

Finished CCT (K)	Unit cut (mm)	CRI	Power (W/m)	Lumen (LM/m)	Efficacy (LM/w)	Max.run length (m)	PCB type
2100±100	50	>90	5	141.4	28.3	25	CC/CV
			10	276.4	27.6	17	
			15	375.9	25.1	13	
2400±100	50	>90	5	138.7	27.7	25	CC/CV
			10	273.3	27.3	17	
			15	371.5	24.8	13	
2700±100	50	>90	5	160.4	32.1	25	CC/CV
			10	312.6	31.3	17	
			15	421.9	28.1	13	
3000±100	50	>90	5	163.4	32.7	25	CC/CV
			10	328.4	32.8	17	
			15	441.3	29.4	13	
3500 ⁺²⁰⁰ ₋₁₀₀	50	>90	5	170.3	34.1	25	CC/CV
			10	327	32.7	17	
			15	452.6	30.2	13	
4000 ⁺³⁰⁰ ₋₂₀₀	50	>90	5	178.4	35.7	25	CC/CV
			10	356	35.6	17	
			15	484.1	32.3	13	
5000 ⁺³⁰⁰ ₋₂₀₀	50	>90	5	180.3	36.1	25	CC/CV
			10	346	34.6	17	
			15	483.9	32.3	13	
6000 ⁺³⁰⁰ ₋₁₀₀	50	>90	5	177.2	35.4	25	CC/CV
			10	353.9	35.4	17	
			15	468.5	31.2	13	
TW	50	>90	2.5	77.2	30.9	5	CV
			5	83	33.2	5	
			10	160.8	32.2	5	
TW	50	>90	2.5	163.2	32.6	5	CV
			5	173.5	34.7	5	
			10	337	33.7	5	
TW	50	>90	7.5	219	29.2	5	CV
			15	231.5	30.9	5	
			30	451.8	30.1	5	
R	62.5	-	5	67.7	13.5	33	CC/CV
			10	145.2	14.5	22	
			15	192.2	12.8	17	
G	62.5	-	5	195	39.0	25	CC/CV
			10	369.2	36.9	17	
			15	466	31.1	13	
B	62.5	-	5	34.7	6.9	25	CC/CV
			10	64.6	6.5	17	
			15	92.7	6.2	13	
Amber	62.5	-	5	14.6	2.9	33	CC/CV
			10	30	3.0	22	
			15	37.4	2.5	17	
Pink	62.5	-	5	74.3	14.9	25	CC/CV
			10	148.7	14.9	17	
			15	195.8	13.1	13	

We reserve the right to make technical and design changes.

Date: 22-03-2021

THIEN MINH MECHANICAL - ELECTRIC JSC

Head office: MESTAR Building, No. 98/11 Ung Van Khiem Street, Ward 25, Binh Thanh District, Ho Chi Minh City, Vietnam.

Tel: (84) 28.3899 4790 - Email: mestar@mestar.vn - Web: www.mestar.vn

Ha Noi Office: TT4.18, Xuan Phuong Tasco Urban Area, Xuan Phuong Ward, Nam Tu Liem District, Hanoi City, Vietnam.

Tel: (84) 24.3222 2411

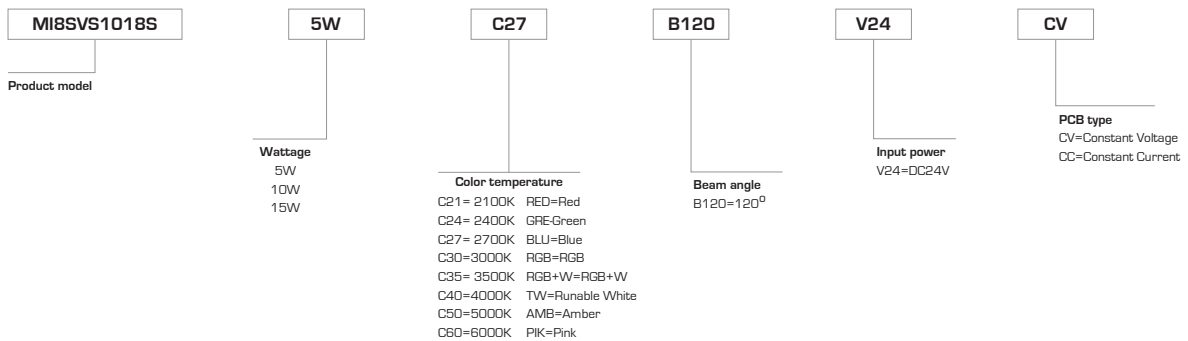


VIVID S3

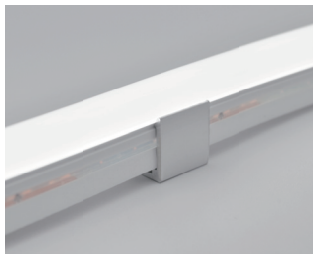
Preferred selection

Model	MI8SVS1018S-5W	MI8SVS1018S-10W	MI8SVS1018S-15W
Power	5W/m	10W/m	15W/m
Efficacy@4000K (lm/W)	35.7lm/W	35.6lm/W	32.3lm/W
Color Rendering index (CRI)	> 90	> 90	> 90
Input voltage	DC24V	DC24V	DC24V
LED PIN temperature	Max. 65°C	Max. 65°C	Max. 65°C
Ambient temperature	-25°C - 50°C	-25°C - 45°C	-25°C - 35°C
Storage temperature	-25°C ~ 60°C	-25°C ~ 60°C	-25°C ~ 60°C

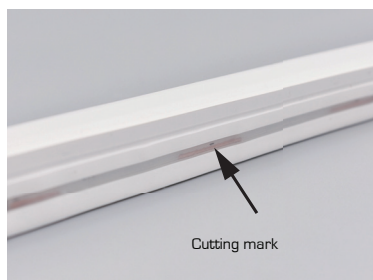
Due to the tolerance of the production and electrical components, output value and electrical power can vary up to 10%

Typical order example

Mounting accessories

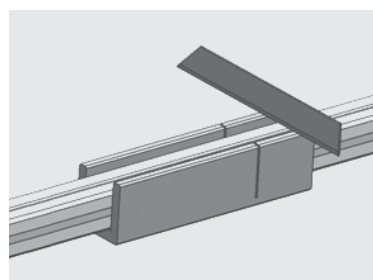

Model: MA-1018S-CL
Mounting clips
20x13x17.5mm [L x W x H]



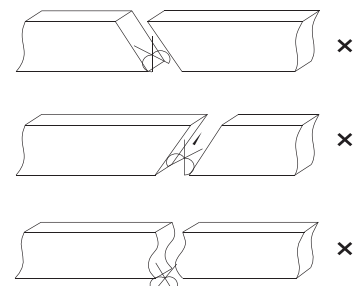
Model: MA-1018S-A-PRF
Aluminium profile
1000x13x17.5mm [L x W x H]


End Cap's fast installation process


Remark: The bottom of the led strip has transparent window, the black marker is the cutting position.



Use a cutting jig, vertical cutting precisely in the exact cutting position of led strip.

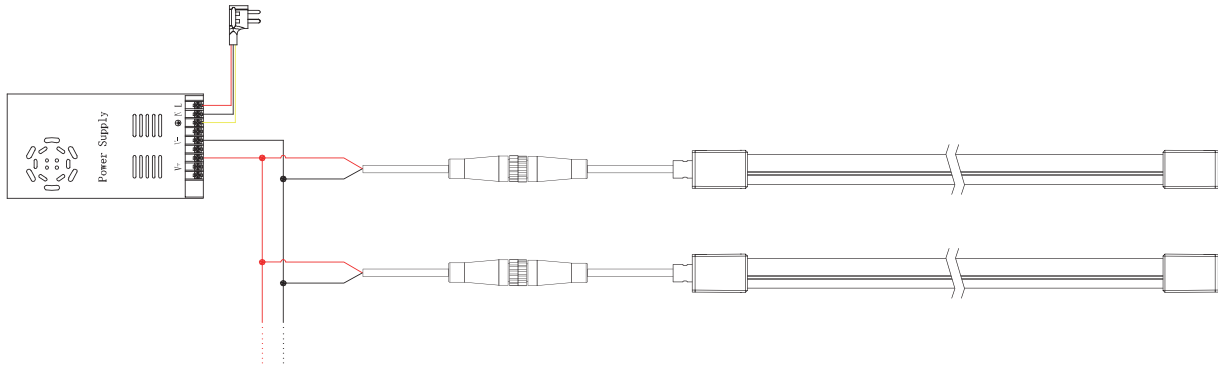


Please don't be feel free to cut and cut into an oblique angle or cambered section.

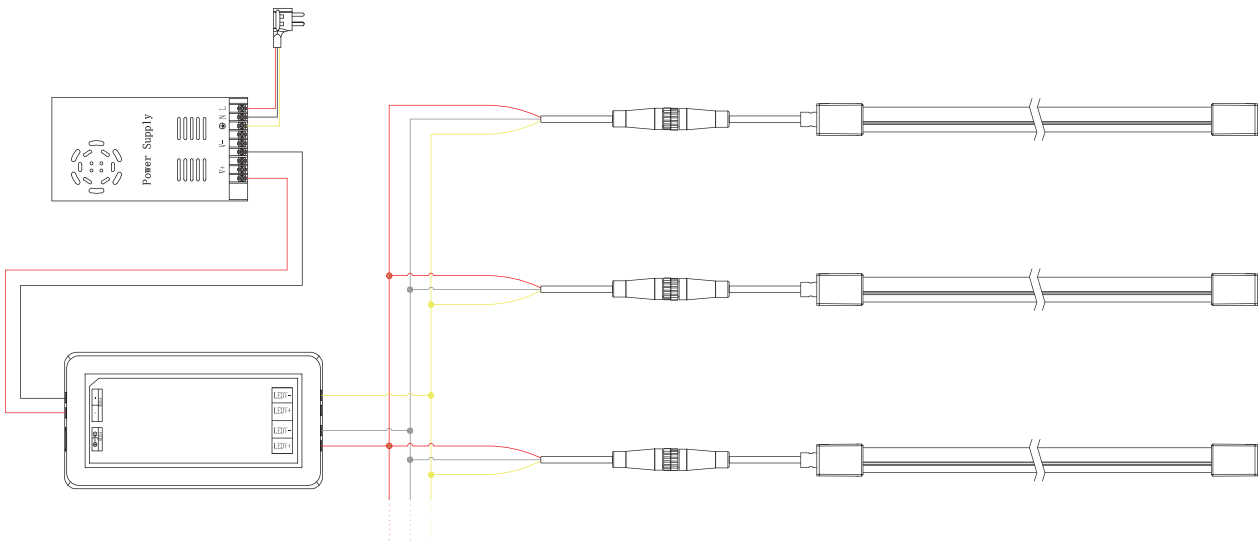


VIVID S3

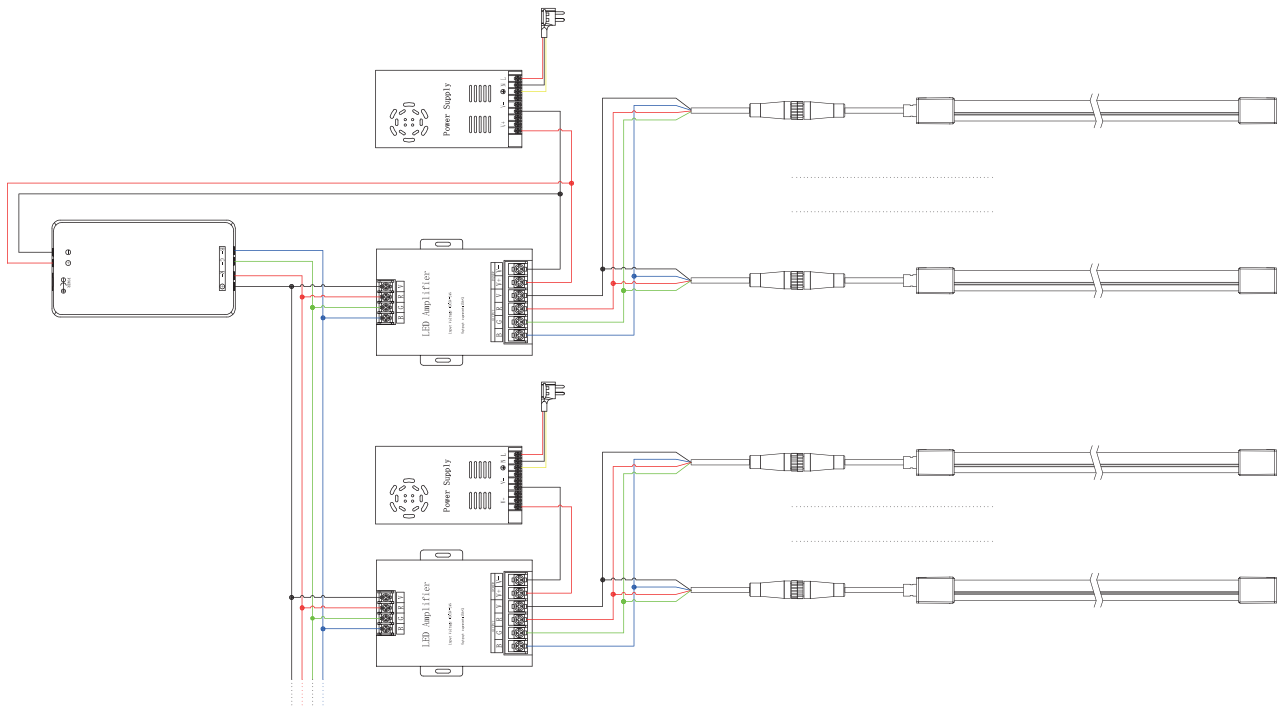
Single color connection diagram



Tunable white connection diagram



RGB connection diagram



We reserve the right to make technical and design changes.

Date: 22-03-2021

THIEN MINH MECHANICAL - ELECTRIC JSC

Head office: MESTAR Building, No. 98/11 Ung Van Khiem Street, Ward 25, Binh Thanh District, Ho Chi Minh City, Vietnam.

Tel: (84) 28.3899 4790 - Email: mestar@mestar.vn - Web: www.mestar.vn

Ha Noi Office: TT4.18, Xuan Phuong Tasco Urban Area, Xuan Phuong Ward, Nam Tu Liem District, Hanoi City, Vietnam.

Tel: (84) 24.3222 2411

