

# BILL - LED FLOODLIGHT



**MODEL: MS3SBI50-FL30-50W**

### Introduction

Bill is the surface luminaire for outdoor use. The manufacture process is extremely strict, high quality output with CE, ROHS certified. Its excellent light brings comfort and good experience to the users.

### Feature

- Housing material aluminum (ADC12), tempered glass.
- Available with 6 different types of changeable lens from asymmetric to narrow and flood beam angle.
- Self-made heatsinks for each power consumption to ensure best cost-effectiveness all range.
- Super slim and unique design and special painting with shimmering powder.
- Adjustable mouting bracket with accurate degree.
- High lamp efficiency for some special tenders can be 160lm/W.
- Color temperature 3000K/4000K/5000K/5700K/6500K.
- Color rendering index: Ra≥70.

### Application area

- Applied to factory, gym, garden, sea port, resort, etc.

### Mounting type

- Surface mounting.

### Approval and marking



### Product color

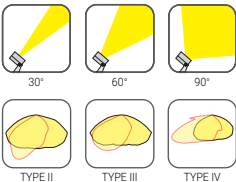


Black(BL)

### Feature



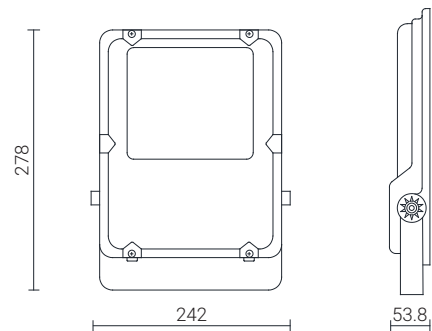
### Beam angle



### Technical information

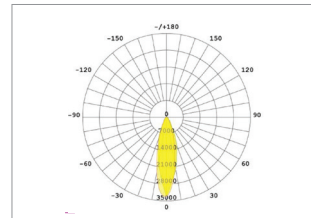
• Model	: MS3SBI50-FL30-50W
• Led chip	: LED SMD
• Rated power	: 50W
• Luminous flux	: 8000lm (7000lm optional)
• Luminous efficacy	: 160lm/W (140lm/W optional)
• Input voltage	: AC100-277V 50/60Hz
• Color temperature	: 3000K/4000K/5000K/5700K/6500K, Ra≥70
• Beam angle	: 30°/60°/90°/TYPE II/ TYPE III/ TYPE IV
• Control method	: On/off
• Protection grade	: IP65
• Operating temperature	: -30°C~45°C
• Product life	: 100000 hours

### Dimension: (mm)



### Photometric data

MS3SBI50-FL30-30°



We reserve the right to make technical and design changes.

THIEN MINH MECHANICAL - ELECTRIC JSC

Head office: MESTAR Building, No. 98/11 Ung Van Khiem Street, Ward 25, Binh Thanh District, Ho Chi Minh City, Vietnam

Tel: (84) 28.3899 4790 - Email: mestar@mestar.vn - Web: www.mestar.vn

