

LUX 3 - LED RECESSED DOWNLIGHT



Introduction

Lux 3 is the recessed ceiling luminaire for indoor use. The manufacture process is extremely strict, high quality output with CE, ROHS certified. Its excellent light brings comfort and good experience to the users.

Feature

- Housing adopts ADC12 aluminum heat sink to make sure a better heat dissipation and keep a long lifespan.
- All types are designed for 3-12 meters height optical requirements.
- Users could enjoy a great lighting effect visible brightness, invisible light source.
- Use LED chip COB BRIDGELUX with high luminous efficiency, SDCM ≤ 3 , high CRI, soft light, free heat radiation and harmful metal, environment friendly product.
- Glare cut $>40^\circ$, UGR <19 anti-glare effect.
- No auxiliary and no stratification for light spot.
- Isolated flicker free driver, external design could support driver replacement.
- Input voltage AC200-240V 50/60Hz with on/off, Triac, 0-10V, Dali control method.
- Color temperature option: 2700K/3000K/4000K, Ra >90 for a more real lighting effect.
- Warranty 3 years.

Application area

- Applied to resort, hotel, restaurant 5 stars, etc.

Mounting type

- Recessed ceiling.

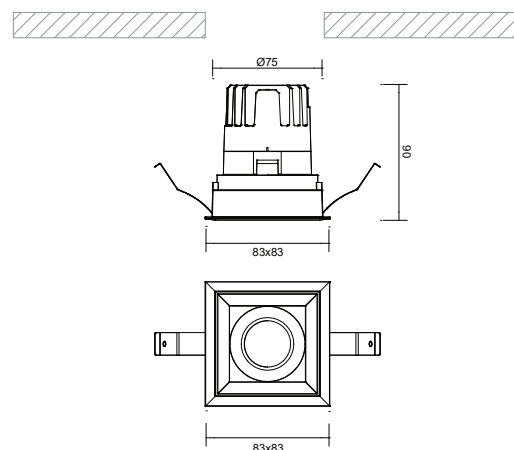
Approval and marking



Product color



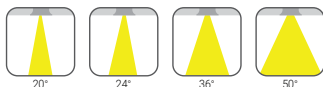
Dimension: (mm)



Feature



Beam angle

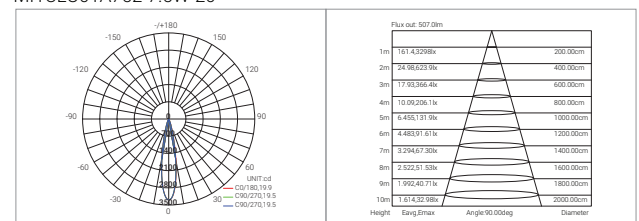


Technical information

• Model	: MI1CLU01A752-7.5W
• Led brand	: LED COB BRIDGELUX
• Rated power	: 7.5W
• Luminous flux	: 450-650lm(non-dim), 400-600lm(dim)
• Luminous efficacy	: 60-86.6lm/W(non-dim), 53.3-80lm/W(dim)
• Input voltage	: AC200-240V 50/60Hz
• Color temperature	: 2700K/3000K/4000K, Ra >90
• Beam angle	: 20°/24°/36°/50°
• Control method	: On/off, Triac, 0-10V, Dali
• Protection grade	: IP44 (without driver)
• Ambient temperature	: -20°C~65°C
• Product life	: 50000 hours

Photometric data

MI1CLU01A752-7.5W-20°



We reserve the right to make technical and design changes.

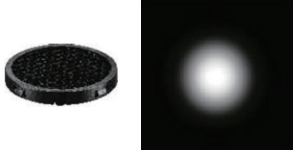
THIEN MINH MECHANICAL - ELECTRIC JSC

Head office: MESTAR Building, No. 98/11 Ung Van Kiem Street, Ward 25, Binh Thanh District, Ho Chi Minh City, Vietnam

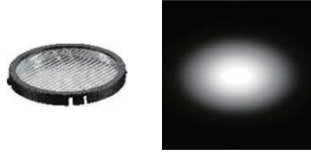
Tel: (84) 28.3899 4790 - Email: mestar@mestar.vn - Web: www.mestar.vn



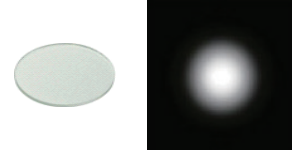
Accessory



Honeycomb louver
MA75BK18-HO



Oval spread lens
MA75CR17-OS



Soft filter lens
MA75CR19-SF

