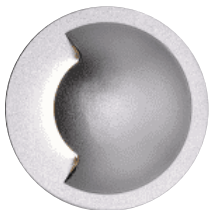


## BUD - LED IN-GROUND LIGHT



**MODEL: MS2SBU0157A-1x2W**

### Introduction

Bud is the recessed mounting luminaire for outdoor use. The manufacture process is extremely strict, high quality output with CE, ROHS certified. Its excellent light brings comfort and good experience to the users.

### Feature

- Front cover hard chromeplated stainless steel SUS316L#.
- Housing 12# die-casting aluminum grey powder coated T=60-80µm. Adhesion of ISO class 1/ASTM class 4B.
- Light window UVstop & fireproof PC.
- Gasket Silicon rubber molding shaped seal.
- Power cable outside of luminaire H05RN-F 2x1.0mm<sup>2</sup> (DC24V), L=0.5m/H05RN-F 3x1.0mm<sup>2</sup>, L=0.5m (AC120/240V).
- Cable gland IP68, PG9 PA66.
- LED type multi chip on board LED.
- LED driver constant voltage Input, constant current output.
- Lens optics reflector efficiency≥90%.
- Mounting sleeve PC/ABS alloys.
- Warranty 3 year.

### Application area

- Applied to pathway, driveway, walkway, facade of building, hotel, resort, etc.

### Mounting type

- Recessed mounting.

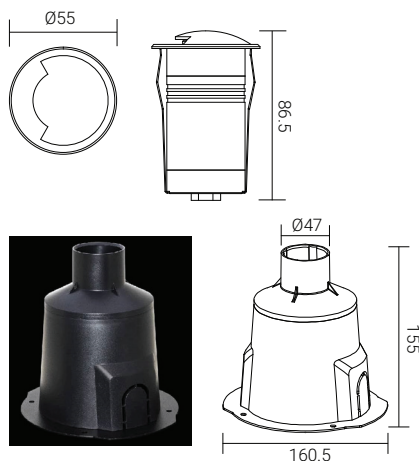
### Approval and marking



### Product color



### Dimension: (mm)



### Feature



### Beam angle

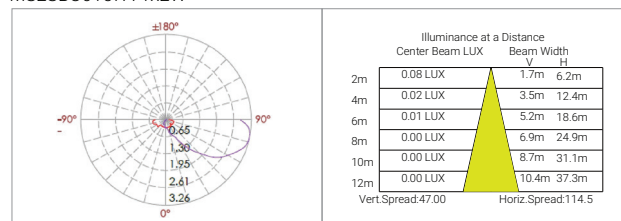


### Technical information

• Model	: MS2SBU0157A-1x2W
• Led chip	: LED SMD OSRAM
• Rated power	: 1x2W
• Luminous flux	: 15lm (cool white), 13lm (warrm white)
• Luminous efficacy	: 7.5lm/W (cool white), 6.5lm/W (warm white)
• Input voltage	: DC24V/AC120/240V 50/60Hz
• Color temperature	: 2700K/3000K/4000K/5700K/6500K
• Beam angle	: 120°
• Control method	: On/off, Triac, PWM, 1-10V, DALI
• Protection grade	: IP67
• IK rating	: IK10
• Operating temperature	: -20°C~40°C
• Product life	: 50000 hours

### Photometric data

MS2SBU0157A-1x2W



We reserve the right to make technical and design changes.

THIEN MINH MECHANICAL - ELECTRIC JSC

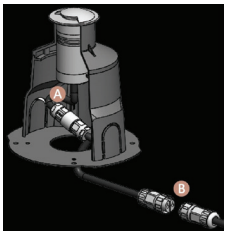
Head office: MESTAR Building, No. 98/11 Ung Van Khiem Street, Ward 25, Binh Thanh District, Ho Chi Minh City, Vietnam

Tel: (84) 28.3899 4790 - Email: mestar@mestar.vn - Web: www.mestar.vn



## BUD - LED IN-GROUND LIGHT

### Waterproof solution



Mounting sleeve A08



- A** Water stopper(include)  
A IP-67 water-stopper is added in the end of luminaires as standard assembly which is also an important system for water resistance.
- B** Connector IP67(option)  
A IP-67 connector is as an optional assembly and ensures that water vapor will not enter into luminaires directly.

### Demo

