

PROJECT DATA

Project : Location :

Approved by : Date :



Introduction

COBRA is a perfect option for roadway lighting applications, it is ideal for city roads, set to brighten your streets beyond imagination. Cobra head-shape designed to bring cities the highest savings possible with best-in-class lumen per watt. Housing is made of high pressure die-casting aluminum sand blasting appearance anti-static, thermostable, anti-corrosive paint. Gear box separated from modules with a aesthetic streamline design from back of modules enhance optimum heat management.

Benefits

- High lumen efficacy 150 lumen per watt – much higher than currently available solutions.
- Constant current driver, standard module as the core component.
- Photocell, single control and step dimming ready connect application, socket and standard outdoor dimming protocols.
- The power supply come with 4KV/6KV anti-surge, SPD/NEMA optional.

Features

- Excellent thermal management operating temperature -30°C to +45°C.
- Transparent tempered glass cover.
- Adjustable adapter for both vertical and horizontal installations.
- Tilt angle: horizontal 25°; vertical 15°.
- Available in 3000K, 4000K, 5000K, 5700K, 6500K CCT options.
- CRI: Ra > 70 (Ra > 80 optional).
- Input voltage: 100-277V, 50/60Hz.
- Polycarbonate optic type: Type I/Type II/Type III/Type IV/Type V.
- Without any hazardous material in fixture.
- Life time: TM21 > 54000hours.
- Buckle-lock for tool free maintenance.

Applications areas

- Roadway, street lighting, suitable for wet location etc.

Mounting

- Ø60mm spigot for both vertical and horizontal installations.

Approvals and markings



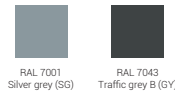
Feature



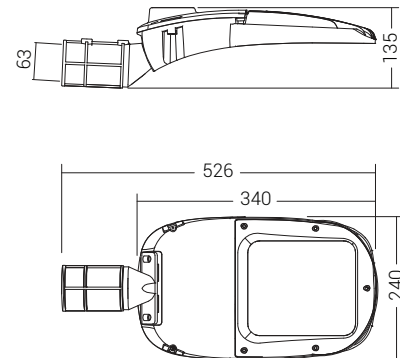
Beam angle



Product colors



Dimension:

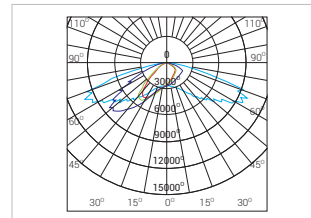


Technical information

• Model	: MS8SL30S-60W
• Material	: Die-casting aluminum
• Lamp	: LUMILEDS SMD 3030
• Power	: 60W
• Luminous flux	: 9000lm ± 5%
• CCT/Ra	: 3000K/ 4000K/ 5000K/ 5700K/ 6500K/ Ra>70
• Efficacy	: 150lm/w
• Beam angle	: Type I
• Control method	: On/off
• Product colors	: Silver grey
• Weight	: 4.3 ± 0.2kg
• Ambient temperature	: -30°C~45°C
• Input voltage	: 100-277V~ 50/60Hz
• Product life	: 54.000H

Photometric Data

MS8SL30S-TYPE I



We reserve the right to make technical and design changes.

THIEN MINH MECHANICAL - ELECTRIC JSC

Head office: MESTAR Building, No. 98/11 Ung Van Khiem Street, Ward 25,

Binh Thanh District, Ho Chi Minh City, Vietnam

Tel: (84) 28.3899 4790 - Email: mestar@mestar.vn - Web: www.mestar.vn

Ha Noi Office: TT4.18, Xuan Phuong Tasco Urban Area, Xuan Phuong Ward,

Nam Tu Liem District, Hanoi City, Vietnam.

Tel: (84) 24.3222 2411



Accessories



Surge protect device (SPD)

SPD 10KV/20KV



Zinc plated SCB 3 pin (SCB)

SCB 16A/500V



Photocell sensor

sensor

