



**NORMAL**

## **LED RECESSED DOWNLIGHT**



# NORMAL


**Introduction**

Normal is the recessed ceiling luminaire for indoor use. The manufacture process is extremely strict, high quality output with CE, ROHS certified. Its excellent light brings comfort and good experience to the users.

**Feature**

- The housing is made of aviation high purity aluminum with more excellent heat dissipation property. Ivory white painted surface ultrathin and compact design, make it high fashion and well-accepted by the market.
- High luminous efficiency, high CRI, soft light, free heat radiation and harmful metal, environment friendly product.
- Press the molding in one step, higher cost-efficiency. Utral thin light body, available for spaces that are 50mm high.
- Product with high cost-effective, SAMSUNG LED chip of small thermal resistance and high luminous efficacy. Constant current driver that has short circuit, overload protection is used for guaranteeing long lifespan without flicker.
- Input voltage AC220-240V 50/60Hz with on/off control method.
- Color temperature option: 3000K/6000K, Ra>90.

**Warranty 3 years.**
**Application area**

- Applied to conference room, hotel, restaurant, foyer, corridor, living spaces, etc.

**Mounting type**

- Recessed ceiling.

**Approval and marking**

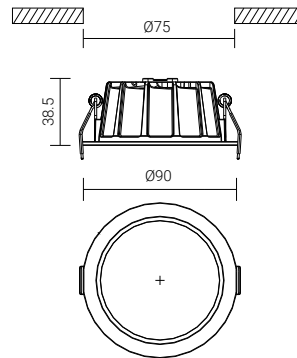
**Feature**

**Beam angle**

**Color temperature**

- Single
- 3000K 6000K

**Product color**

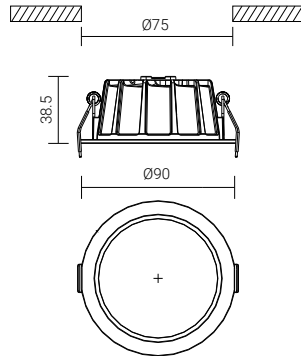
**Dimension (mm):**


**NORMAL**

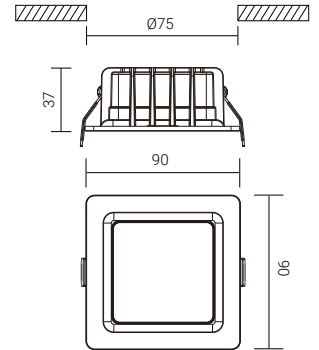
**Variant**



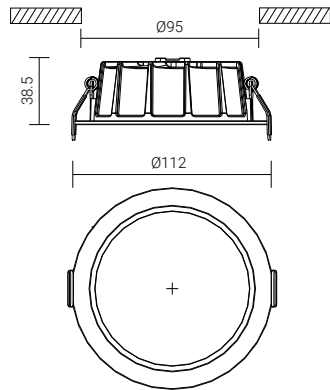
**MI1SNM2520-5W**



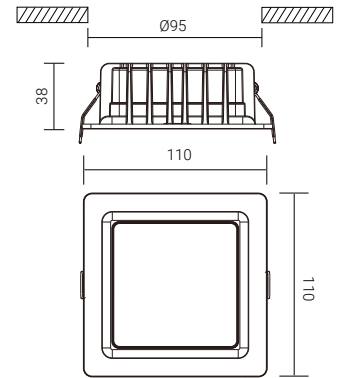
**MI1SNM2524F-5W**



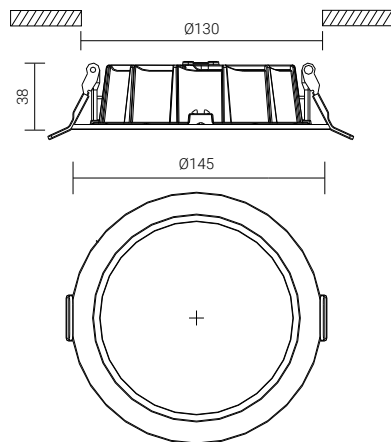
**MI1SNM3020-9W**



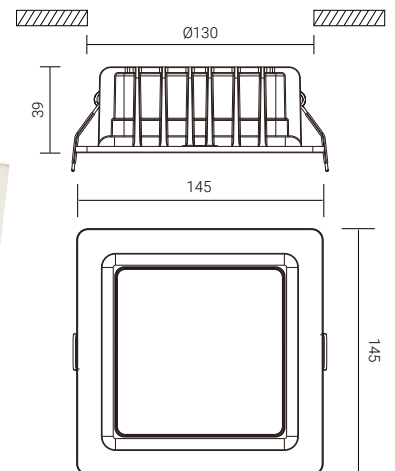
**MI1SNM3024F-9W**



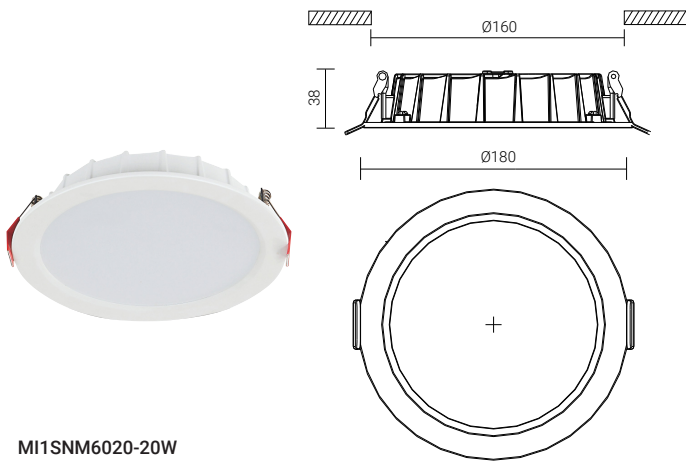
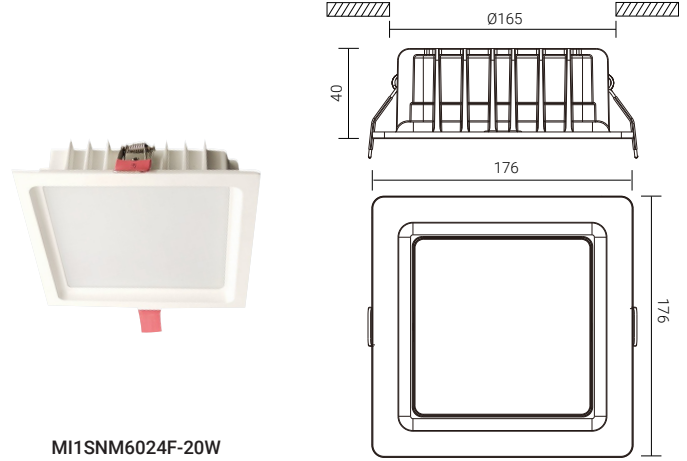
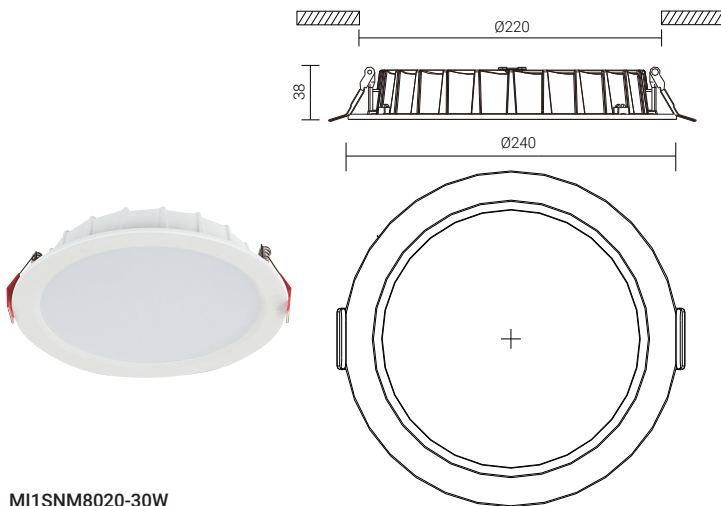
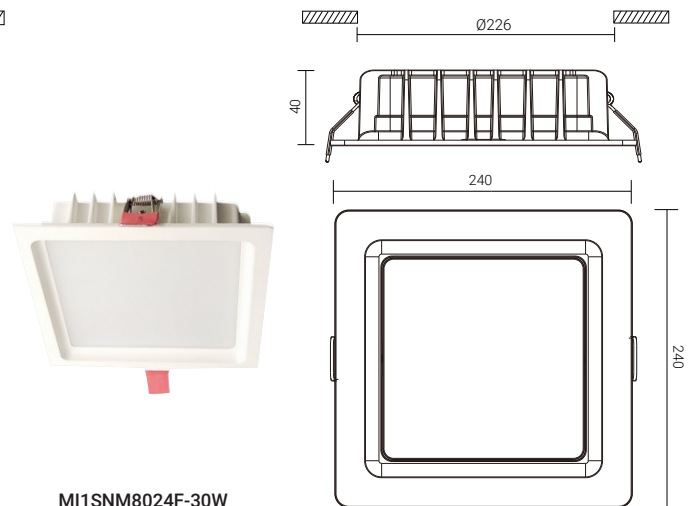
**MI1SNM4020-15W**



**MI1SNM4024F-15W**



# NORMAL

**Variant**

**MI1SNM6020-20W**

**MI1SNM6024F-20W**

**MI1SNM8020-30W**

**MI1SNM8024F-30W**
**Specification**

Model	MI1SNM2520-5W	MI1SNM3020-9W	MI1SNM4020-15W	MI1SNM6020-20W
Led brand	LED SAMSUNG	LED SAMSUNG	LED SAMSUNG	LED SAMSUNG
Rated power	5W	9W	15W	20W
Luminous flux	350-380lm	720-770lm	1200-1250lm	1600-1680lm
Luminous efficacy	70-76lm/W	80-85lm/W	80-83.3lm/W	80-84lm/W
Input voltage	AC220-240V 50/60Hz	AC220-240V 50/60Hz	AC220-240V 50/60Hz	AC220-240V 50/60Hz
Color temperature	3000K/6000K, Ra>90	3000K/6000K, Ra>90	3000K/6000K, Ra>90	3000K/6000K, Ra>90
Beam angle	104°	104°	104°	104°
Control method	On/off	On/off	On/off	On/off
Protection grade	IP20	IP20	IP20	IP20
Ambient temperature	-10°C~45°C	-10°C~45°C	-10°C~45°C	-10°C~45°C
Product life	50000 hours	50000 hours	50000 hours	50000 hours



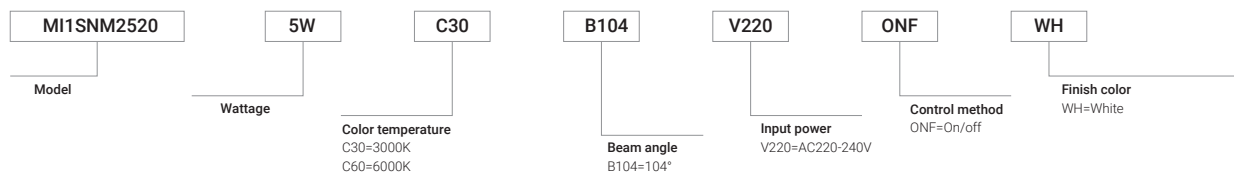
# NORMAL

**Specification**

Model	MI1SNM8020-30W	MI1SNM2524F-5W	MI1SNM3024F-9W	MI1SNM4024F-15W
Led brand	LED SAMSUNG	LED SAMSUNG	LED SAMSUNG	LED SAMSUNG
Rated power	30W	5W	9W	15W
Luminous flux	2400-2520lm	320-350lm	600-650lm	1150-1325lm
Luminous efficacy	80-84lm/W	64-70lm/W	66.6-72.2lm/W	76.6-83.3lm/W
Input voltage	AC220-240V 50/60Hz	AC220-240V 50/60Hz	AC220-240V 50/60Hz	AC220-240V 50/60Hz
Color temperature	3000K/6000K, Ra>90	3000K/6000K, Ra>90	3000K/6000K, Ra>90	3000K/6000K, Ra>90
Beam angle	104°	104°	104°	104°
Control method	On/off	On/off	On/off	On/off
Protection grade	IP20	IP20	IP20	IP20
Ambient temperature	-10°C~45°C	-10°C~45°C	-10°C~45°C	-10°C~45°C
Product life	50000 hours	50000 hours	50000 hours	50000 hours

**Specification**

Model	MI1SNM6024F-20W	MI1SNM8024F-30W
Led brand	LED SAMSUNG	LED SAMSUNG
Rated power	20W	30W
Luminous flux	1700-1800lm	2650-2800lm
Luminous efficacy	85-90lm/W	88.3-93.3lm/W
Input voltage	AC220-240V 50/60Hz	AC220-240V 50/60Hz
Color temperature	3000K/6000K, Ra>90	3000K/6000K, Ra>90
Beam angle	104°	104°
Control method	On/off	On/off
Protection grade	IP20	IP20
Operating temperature	-10°C~45°C	-10°C~45°C
Product life	50000 hours	50000 hours

**Typical order example**


NORMAL

Photometric data

