



DYER 2

LED FLOODLIGHT



DYER 2


Introduction

DYER 2 is the floodlight for outdoor use. The manufacture process is extremely strict, high quality output with CE, ROHS certified. Its excellent light brings comfort and good experience to the users.

Feature

- Aluminum die-cast housing with powder painting finish, polycarbonate + PMMA optical lens.
- Integrated IC UCS512.
- Excellent heat dissipation for longer service life.
- Use LED CREE high efficiency.
- Category of corrosion C3.
- Input voltage DC24V/AC120-240V 50/60Hz with On/off, 0-10V, Dali, DMX512 control method.
- Color temperature 2200K/3000K/4000K/5000K/2200K-4000K/RGB/RGBW, Ra>80.
- Beam angle: 4°/8°/12°/30°/60°/75°/15x30°/20x60°.
- Warranty 3 years.

Application area

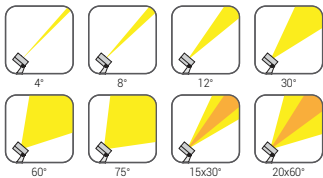
- Applied to facade of square, business street, park, advertising board, bridge, etc.

Mounting type

- Base mounting, bracket mounting, embrace hoop mounting, ground spike mounting.

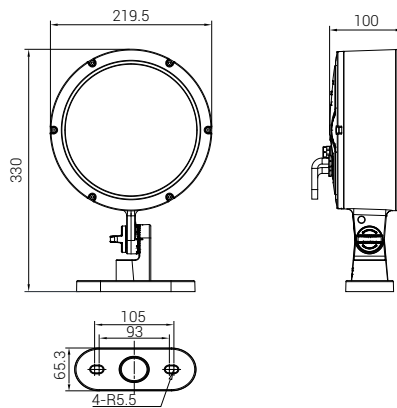
Approval and marking

Control method

Beam angle

Color temperature

- Single
2200K 3000K 4000K 5000K
- CCT adjustable
2200-4000K
- DMX, DMX/RDM

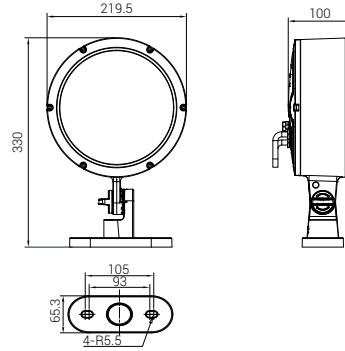

Product color

Dimension (mm):


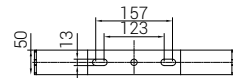
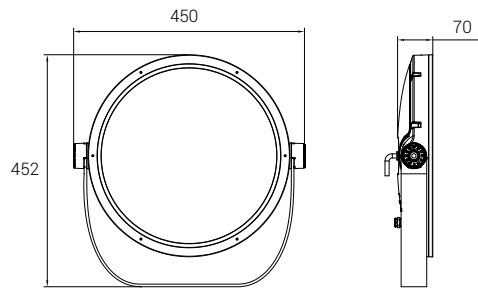
DYER 2

Variant

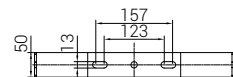
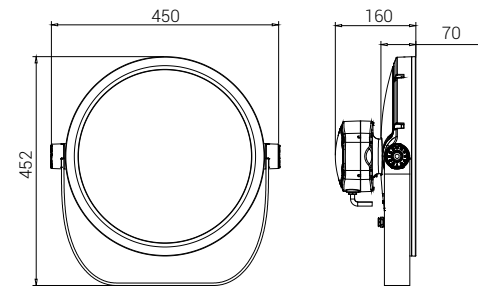
MS3SDY39035/D1/D3/D4-35W



MS3SDY39100/D1/D3/D4-100W/135W



Type VDC



Type VAC



DYER 2

Specification

| Model | MS3SDY39035-35W | MS3SDY39100-100W | MS3SDY39150-150W |
|-----------------------|-------------------------------------|-------------------------------------|-------------------------------------|
| Led chip | LED CREE-XPG3 | LED CREE-XPG3 | LED CREE-XPG3 |
| Rated power | 35W | 100W | 150W |
| Luminous flux | 3150lm (VDC), 3500lm (VAC) | 9000lm (VDC), 10000lm (VAC) | 13500lm (VDC), 15000lm (VAC) |
| Luminous efficacy | 90lm/W (VDC), 100lm/W (VAC) | 90lm/W (VDC), 100lm/W (VAC) | 90lm/W (VDC), 100lm/W (VAC) |
| Input voltage | DC24V/AC120-240V 50/60Hz | DC48V/AC120-240V 50/60Hz | DC48V/AC120-240V 50/60Hz |
| Color temperature | 2200K/3000K/4000K/5000K | 2200K/3000K/4000K/5000K | 2200K/3000K/4000K/5000K |
| Beam angle | 4°/8°/12°/30°/60°/75°/15x30°/20x60° | 4°/8°/12°/30°/60°/75°/15x30°/20x60° | 4°/8°/12°/30°/60°/75°/15x30°/20x60° |
| Control method | On/off, 0-10V, Dali | On/off, 0-10V, Dali | On/off, 0-10V, Dali |
| Protection grade | IP66 | IP66 | IP66 |
| EPA | 0.35ft²(0.04m²) | 1.12ft² (0.12m²) | 1.12ft² (0.12m²) |
| Operating temperature | -30°C~50°C | -30°C~50°C | -30°C~50°C |
| Product life | 50000 hours | 50000 hours | 50000 hours |

| Model | MS3SDY39035D1-35W | MS3SDY39100D1-100W | MS3SDY39150D1-150W |
|-----------------------|-------------------------------------|-------------------------------------|-------------------------------------|
| Led chip | LED CREE-XPG3 | LED CREE-XPG3 | LED CREE-XPG3 |
| Rated power | 35W | 100W | 150W |
| Luminous flux | 3150lm (VDC), 3500lm (VAC) | 9000lm (VDC), 10000lm (VAC) | 13500lm (VDC), 15000lm (VAC) |
| Luminous efficacy | 90lm/W (VDC), 100lm/W (VAC) | 90lm/W (VDC), 100lm/W (VAC) | 90lm/W (VDC), 100lm/W (VAC) |
| Input voltage | DC24V/AC120-240V 50/60Hz | DC48V/AC120-240V 50/60Hz | DC48V/AC120-240V 50/60Hz |
| Color temperature | 2200K/3000K/4000K/5000K/2200K-4000K | 2200K/3000K/4000K/5000K/2200K-4000K | 2200K/3000K/4000K/5000K/2200K-4000K |
| Beam angle | 4°/8°/12°/30°/60°/75°/15x30°/20x60° | 4°/8°/12°/30°/60°/75°/15x30°/20x60° | 4°/8°/12°/30°/60°/75°/15x30°/20x60° |
| Control method | DMX | DMX | DMX |
| Protection grade | IP66 | IP66 | IP66 |
| EPA | 0.35ft²(0.04m²) | 1.12ft² (0.12m²) | 1.12ft² (0.12m²) |
| Operating temperature | -30°C~50°C | -30°C~50°C | -30°C~50°C |
| Product life | 50000 hours | 50000 hours | 50000 hours |

| Model | MS3SDY39035D3-35W | MS3SDY39100D3-100W | MS3SDY39150D3-150W |
|-----------------------|-------------------------------------|-------------------------------------|-------------------------------------|
| Led chip | CREE-XPE2 | CREE-XPE2 | CREE-XPE2 |
| Rated power | 35W | 100W | 150W |
| Luminous flux | 1330lm (VDC), 1575lm (VAC) | 3800lm (VDC), 4500lm (VAC) | 5700lm (VDC), 6750lm (VAC) |
| Luminous efficacy | 38lm/W (VDC), 45lm/W (VAC) | 38lm/W (VDC), 45lm/W (VAC) | 38lm/W (VDC), 45lm/W (VAC) |
| Input voltage | DC24V/AC120-240V 50/60Hz | DC48V/AC120-240V 50/60Hz | DC48V/AC120-240V 50/60Hz |
| Color temperature | RGB | RGB | RGB |
| Beam angle | 4°/8°/12°/30°/60°/75°/15x30°/20x60° | 4°/8°/12°/30°/60°/75°/15x30°/20x60° | 4°/8°/12°/30°/60°/75°/15x30°/20x60° |
| Control method | DMX, DMX/RDM | DMX, DMX/RDM | DMX, DMX/RDM |
| Protection grade | IP66 | IP66 | IP66 |
| EPA | 0.35ft²(0.04m²) | 1.12ft² (0.12m²) | 1.12ft² (0.12m²) |
| Operating temperature | -30°C~50°C | -30°C~50°C | -30°C~50°C |
| Product life | 50000 hours | 50000 hours | 50000 hours |

We reserve the right to make technical and design changes.
Date: 01/10/2024
THIEN MINH MECHANICAL - ELECTRIC JSC

Head office: MESTAR Building, No. 98/11 Ung Van Khiem Street, Ward 25, Binh Thanh District, Ho Chi Minh City, Vietnam.

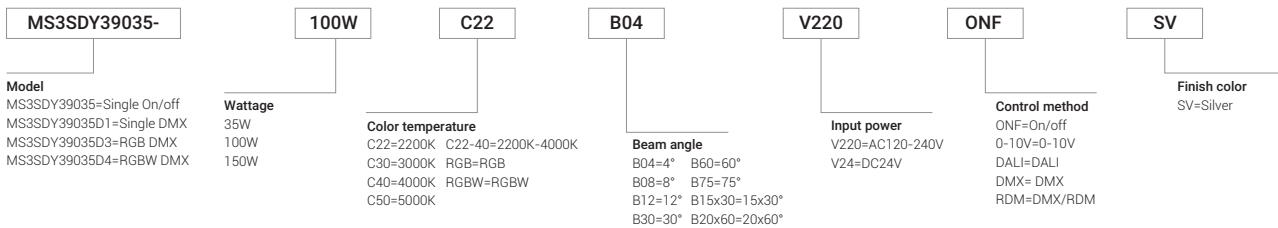
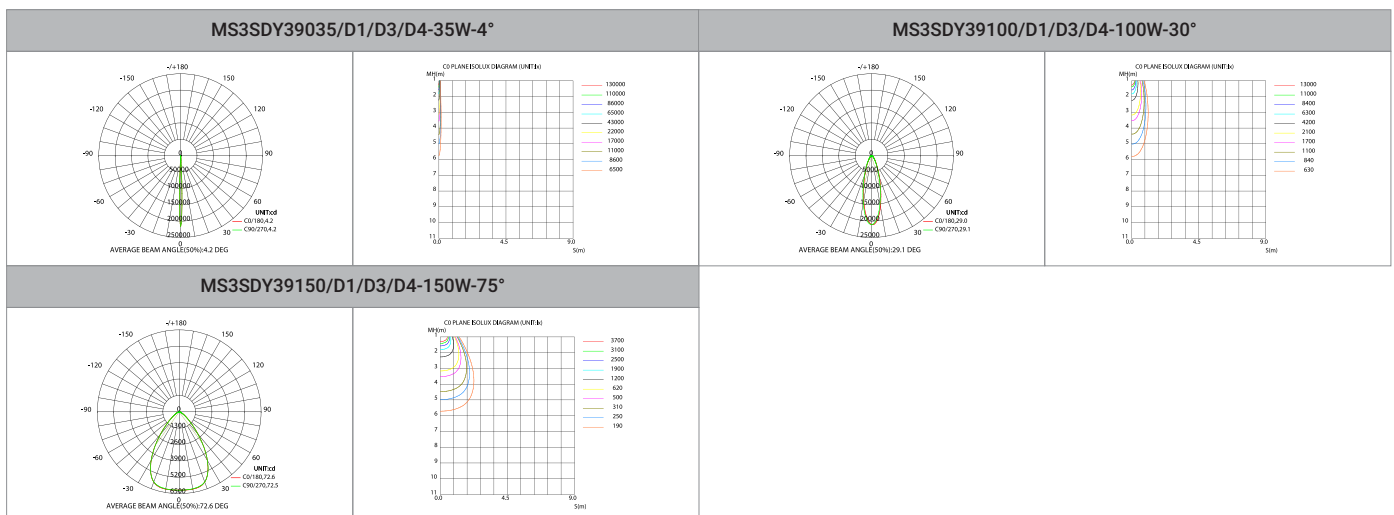
Tel: (84) 28.3899 4790 - Email: mestar@mestar.vn - Web: www.mestar.vn



DYER 2

Specification

| Model | MS3SDY39035D4-35W | MS3SDY39100D4-100W | MS3SDY39150D4-150W |
|-----------------------|--|--|---|
| Led chip | CREE-XPE2 | CREE-XPE2 | CREE-XPE2 |
| Rated power | 35W | 100W | 150W |
| Luminous flux | 1330lm (RGB), 2205lm (W) (VDC) 1575lm (RGB), 2450lm/W (W) (VAC) | 3800lm (RGB), 6300lm (W) (VDC) 4500lm (RGB), 7000lm/W (W) (VAC) | 5700lm (RGB), 9450lm (W) (VDC) 6750lm (RGB), 10500lm (W) (VAC) |
| Luminous efficacy | 38lm/W (RGB), 63lm/W (W) (VDC) 45lm/W (RGB), 70lm/W (W) (VAC) | 38lm/W (RGB), 63lm/W (W) (VDC) 45lm/W (RGB), 70lm/W (W) (VAC) | 38lm/W (RGB), 63lm/W (W) (VDC) 45lm/W (RGB), 70lm/W (W) (VAC) |
| Input voltage | DC24V/AC120-240V 50/60Hz | DC48V/AC120-240V 50/60Hz | DC48V/AC120-240V 50/60Hz |
| Color temperature | RGBW | RGBW | RGBW |
| Beam angle | 4°/8°/12°/30°/60°/75°/15x30°/20x60° | 4°/8°/12°/30°/60°/75°/15x30°/20x60° | 4°/8°/12°/30°/60°/75°/15x30°/20x60° |
| Control method | DMX, DMX/RDM | DMX, DMX/RDM | DMX, DMX/RDM |
| Protection grade | IP66 | IP66 | IP66 |
| EPA | 0.35ft ² (0.04m ²) | 1.12ft ² (0.12m ²) | 1.12ft ² (0.12m ²) |
| Operating temperature | -30°C~50°C | -30°C~50°C | -30°C~50°C |
| Product life | 50000 hours | 50000 hours | 50000 hours |

Typical order example

Photometric data


DYER 2

Accessories


Ground spike
(for 35W)
MAF3901-GS



Ground spike
(for 100W, 150W)
MAF3902-GS



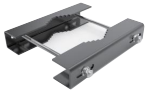
Visor
(for 35W)
MAF3901-VS



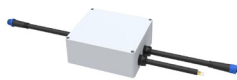
Visor
(for 100W, 150W)
MAF3902-VS



Embrace hoop
(for 35W)
MAF3903-EH



Clamp mount bracket
(for 100W, 150W)
MAF1507B-MB



Signal amplifier
MAF3902-SA



Safety rope
MAF3301-SR



DMX termination resistor
MAF3901-TR



Dustproof cover
MAF3901-DP



DMX cable with female plug
3 cores (for type AC)
MA301FM-AC



DMX cable with male plug
3 cores (for type AC)
MA301M-AC



DMX cable with male and female
plug 3 cores (for type AC)
MA301MF-AC



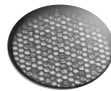
DMX cable with female plug
4 cores (for type DC)
MA301FM-DC



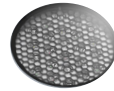
DMX cable with male plug
4 cores (for type DC)
MA301M-DC



DMX cable with male and female
plug 4 cores (for type DC)
MA301MF-DC



Honeycomb
(for 35W)
MAF3901-HO



Honeycomb
(for 100W/150W)
MAF3902-HO

