

DYER 2 - LED FLOODLIGHT

PROJECT DATA

Assigned code :

Project : Location :

Approved by : Date :



MODEL: MS3SDY39035D4-35W

Introduction

DYER 2 is the floodlight for outdoor use. The manufacture process is extremely strict, high quality output with CE, ROHS certified. Its excellent light brings comfort and good experience to the users.

Feature

- Aluminum die-cast housing with powder painting finish, polycarbonate + PMMA optical lens.
- Integrated IC UCS512.
- Excellent heat dissipation for longer service life.
- Use LED CREE high efficiency.
- Category of corrosion C3.
- Input voltage DC24V/AC120-240V 50/60Hz with DMX512 control method.
- Color temperature RGB.
- Beam angle: 4°/8°/12°/30°/60°/75°/15x30°/20x60°.
- Warranty 3 years.

Application area

- Applied to facade of square, business street, park, advertising board, bridge, etc.

Mounting type

- Base mounting, bracket mounting, embrace hoop mounting, ground spike mounting.

Approval and marking



Color temperature



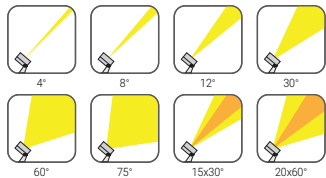
Control method



Product color



Beam angle



Technical information

• Model	: MS3SDY39035D4-35W
• Led chip	: CREE-XPE2
• Rated power	: 35W
• Luminous flux	: 1330lm (RGB), 2205lm (W) (VDC) : 1575lm (RGB), 2450lm/W (W) (VAC)
• Luminous efficacy	: 38lm/W (RGB), 63lm/W (W) (VDC) : 45lm/W (RGB), 70lm/W (W) (VAC)
• Input voltage	: DC24V/AC120-240V 50/60Hz
• Color temperature	: RGBW
• Beam angle	: 4°/8°/12°/30°/60°/75°/15x30°/20x60°
• Control method	: DMX, DMX/RDM
• Protection grade	: IP66
• EPA	: 0.35ft²(0.04m²)
• Operating temperature	: -30°C~50°C
• Product life	: 50000 hours

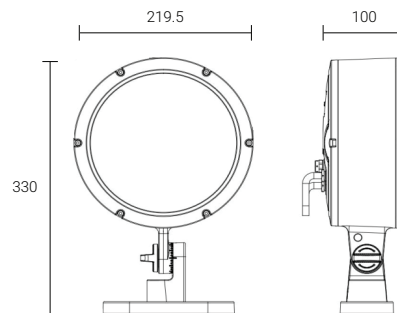
We reserve the right to make technical and design changes.

THIEN MINH MECHANICAL - ELECTRIC JSC

Head office: MESTAR Building, No. 98/11 Ung Van Khiem Street, Ward 25, Binh Thanh District, Ho Chi Minh City, Vietnam

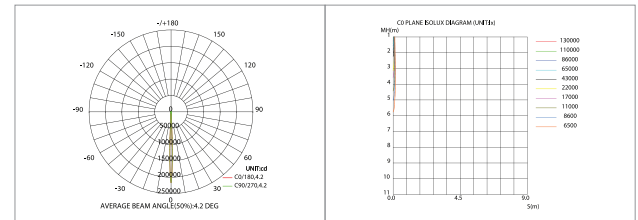
Tel: (84) 28.3899 4790 - Email: mestar@mestar.vn - Web: www.mestar.vn

Dimension: (mm)



Photometric data

MS3SDY39035D4-35W-4°



DYER 2 - LED FLOODLIGHT

Accessories



Ground spike
(for 35W)
MAF3901-GS



Visor
(for 35W)
MAF3901-VS



Embrace hoop
(for 35W)
MAF3903-EH



Signal amplifier
MAF3902-SA



Safety rope
MAF3301-SR



DMX termination resistor
MAF3901-TR



Dustproof cover
MAF3901-DP



DMX cable with female plug
3 cores (for type AC)
MA301FM-AC



DMX cable with male plug
3 cores (for type AC)
MA301M-AC



DMX cable with male and female
plug 3 cores (for type AC)
MA301MF-AC



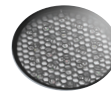
DMX cable with female plug
4 cores (for type DC)
MA301FM-DC



DMX cable with male plug
4 cores (for type DC)
MA301M-DC



DMX cable with male and female
plug 4 cores (for type DC)
MA301MF-DC



Honeycomb
(for 35W)
MAF3901-HO

