



SATURN

LED STREET LIGHT



SATURN


Introduction

Saturn is the surface mounting luminaire for outdoor use. The manufacture process is extremely strict, high quality output with CE, ROHS certified. Its excellent light brings comfort and good experience to the users.

Feature

- Housing aluminum alloy with powder coating finish, polycarbonate optical lens. Category of corrosion C3.
- Use LED chip SMD 2835 high efficiency.
- Input voltage DC120-277V 50/60Hz with on/off control method, 1-10V dimming optional.
- Photocell, 3/5/7 pins NEMA socket for smart city controls optional.
- Various mounting adaptors for different applications.
- Color temperature 3000K/4000K/5000K, Ra>70/Ra>80 (optional).
- Beam angle: TYPE I, TYPE II/TYPE III.
- Warranty 3 years.

Application area

- Applied to rural roadway, parking lots, residential streets, urban areas, plazas, etc.

Mounting type

- Side entry, pole mounting.

Approval and marking

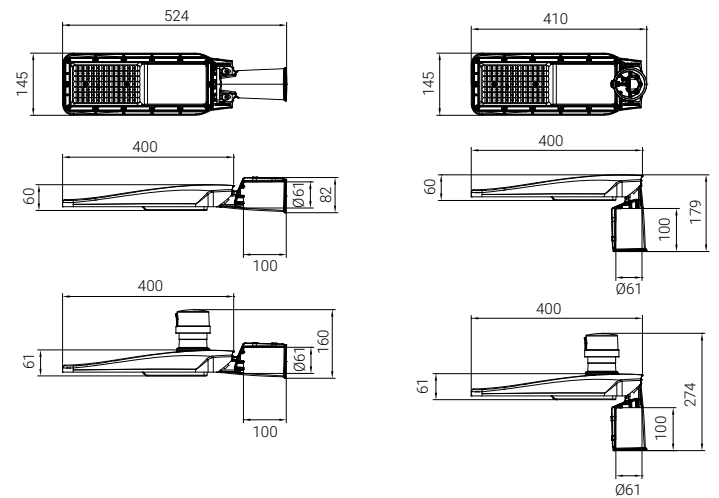
Feature

Beam angle

Color temperature
Single

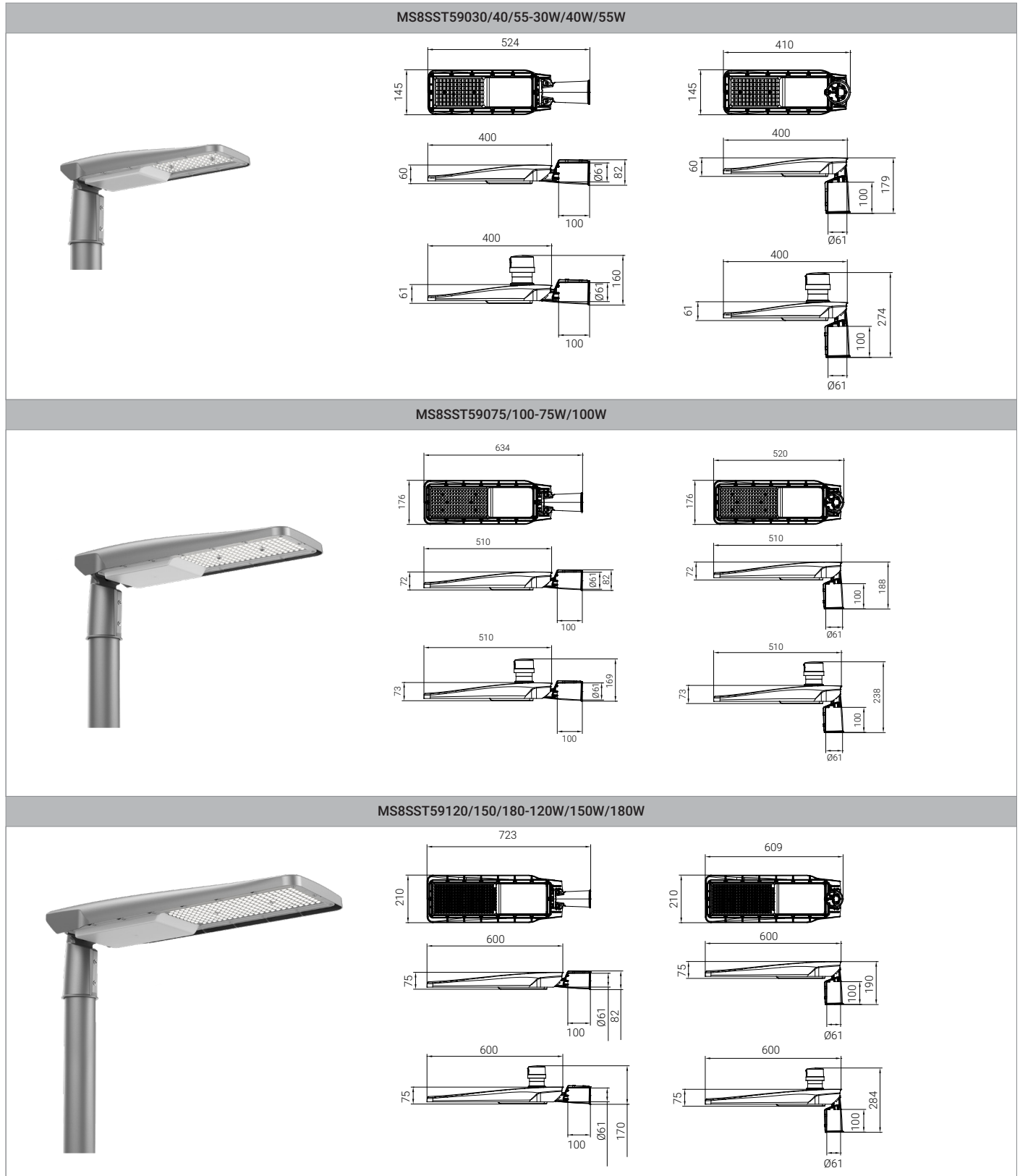
3000K 4000K 5000K

Product color

Dimension (mm):


SATURN

Variant



We reserve the right to make technical and design changes.

Date: 01/11/2023

THIEN MINH MECHANICAL - ELECTRIC JSC

Head office: MESTAR Building, No. 98/11 Ung Van Khiem Street, Ward 25, Binh Thanh District, Ho Chi Minh City, Vietnam.

Tel: (84) 28.3899 4790 - Email: mestar@mestar.vn - Web: www.mestar.vn



SATURN

Specification

Model	MS8SST59030-30W	MS8SST59040-40W	MS8SST59055-55W
Led brand	LED SMD 2835	LED SMD 2835	LED SMD 2835
Rated power	30W	40W	55W
Luminous flux	4500lm	6000lm	8250lm
Luminous efficacy	150lm/W	150lm/W	150lm/W
Input voltage	AC120-277V 50/60Hz	AC120-277V 50/60Hz	AC120-277V 50/60Hz
Color temperature	3000K/4000K/5000K, Ra>70/Ra>80 (optional)	3000K/4000K/5000K, Ra>70/Ra>80 (optional)	3000K/4000K/5000K, Ra>70/Ra>80 (optional)
Beam angle	TYPE I/TYPEII/TYPE III	TYPE I/TYPEII/TYPE III	TYPE I/TYPEII/TYPE III
Control method	On/off, 1-10V	On/off, 1-10V	On/off, 1-10V
Protection grade	IP66	IP66	IP66
EPA	0.75ft ² /0.06m ²	0.75ft ² /0.06m ²	0.75ft ² /0.06m ²
Operating temperature	-30°C~50°C	-30°C~50°C	-30°C~50°C
Product life	50000 hours	50000 hours	50000 hours

Model	MS8SST59075-75W	MS8SST59100-100W	MS8SST59120-120W
Led brand	LED SMD 2835	LED SMD 2835	LED SMD 2835
Rated power	75W	100W	120W
Luminous flux	11250lm	15000lm	18000lm
Luminous efficacy	150lm/W	150lm/W	150lm/W
Input voltage	AC120-277V 50/60Hz	AC120-277V 50/60Hz	AC120-277V 50/60Hz
Color temperature	3000K/4000K/5000K, Ra>70/Ra>80 (optional)	3000K/4000K/5000K, Ra>70/Ra>80 (optional)	3000K/4000K/5000K, Ra>70/Ra>80 (optional)
Beam angle	TYPEII/TYPE III	TYPEII/TYPE III	TYPE III
Control method	On/off, 1-10V	On/off, 1-10V	On/off, 1-10V
Protection grade	IP66	IP66	IP66
EPA	1.16ft ² /0.09m ²	1.16ft ² /0.09m ²	1.63ft ² /0.13m ²
Operating temperature	-30°C~50°C	-30°C~50°C	-30°C~50°C
Product life	50000 hours	50000 hours	50000 hours

Model	MS8SST59150-150W	MS8SST59180-180W	
Led brand	LED SMD 2835	LED SMD 2835	
Rated power	150W	180W	
Luminous flux	22500lm	27000lm	
Luminous efficacy	150lm/W	150lm/W	
Input voltage	AC120-277V 50/60Hz	AC120-277V 50/60Hz	
Color temperature	3000K/4000K/5000K, Ra>70/Ra>80 (optional)	3000K/4000K/5000K, Ra>70/Ra>80 (optional)	
Beam angle	TYPE III	TYPE I/TYPEII/TYPE III	
Control method	On/off, 1-10V	On/off, 1-10V	
Protection grade	IP66	IP66	
EPA	1.63ft ² /0.13m ²	1.63ft ² /0.13m ²	
Operating temperature	-30°C~50°C	-30°C~45°C	
Product life	50000 hours	50000 hours	

We reserve the right to make technical and design changes.

Date: 01/11/2023

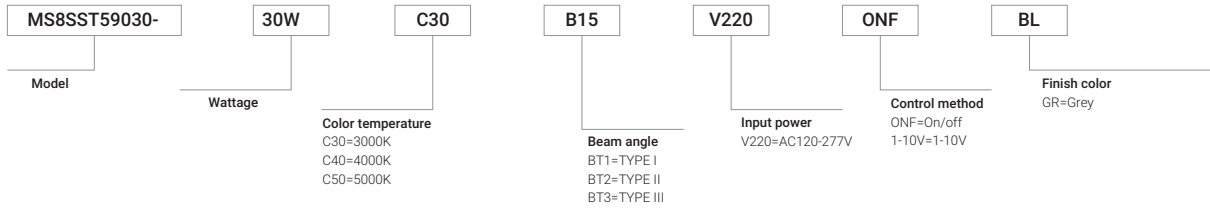
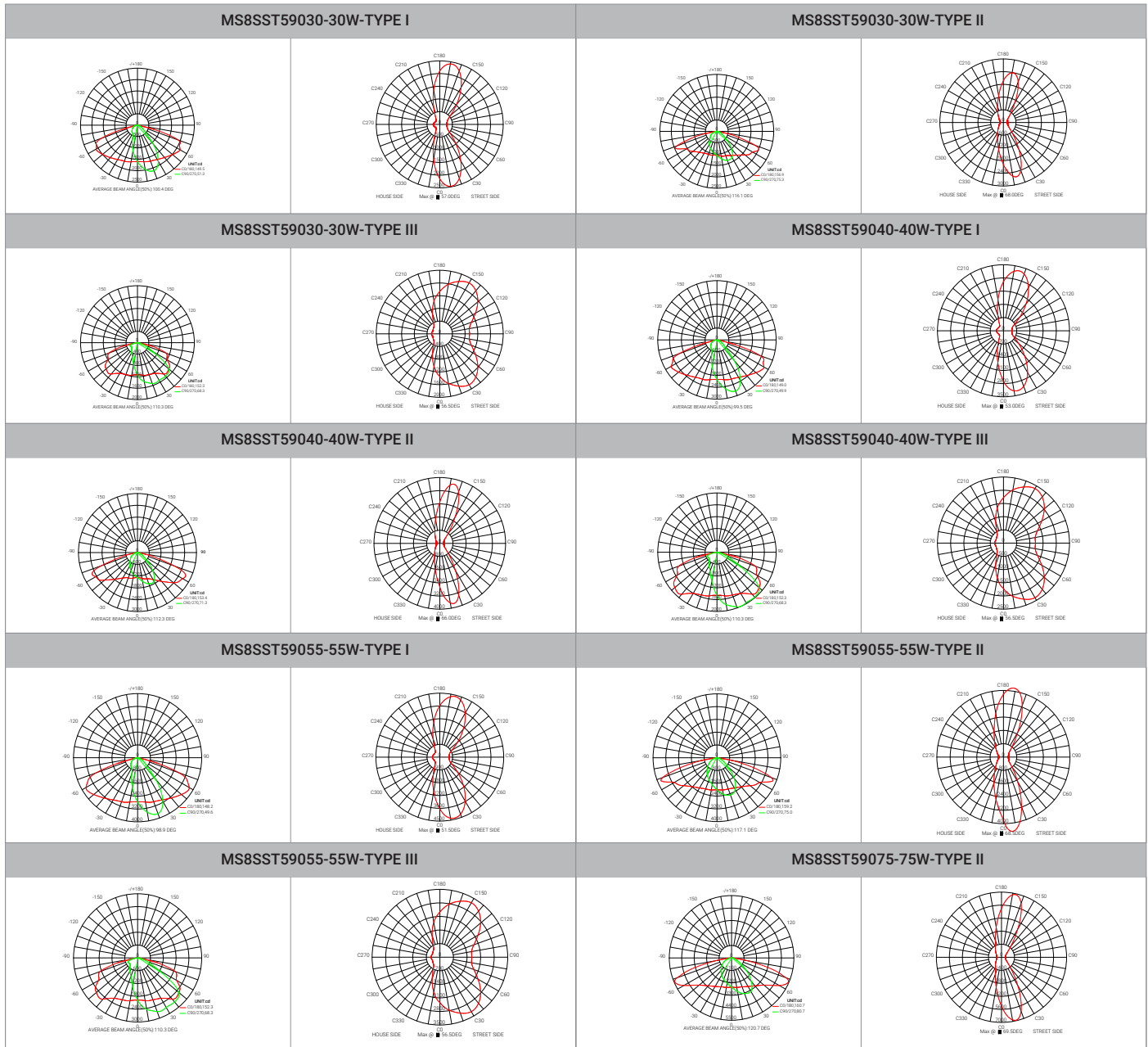
THIEN MINH MECHANICAL - ELECTRIC JSC

Head office: MESTAR Building, No. 98/11 Ung Van Khiem Street, Ward 25, Binh Thanh District, Ho Chi Minh City, Vietnam.

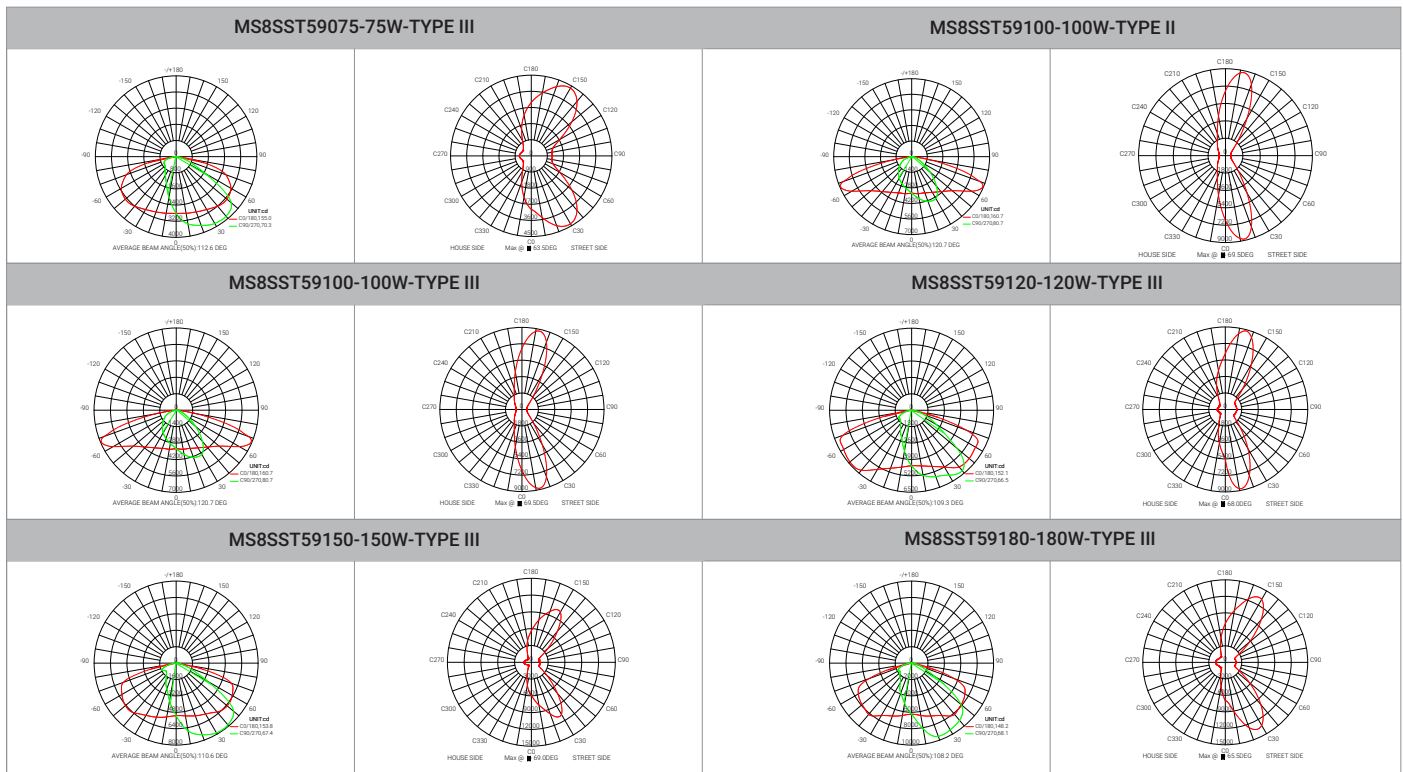
Tel: (84) 28.3899 4790 - Email: mestar@mestar.vn - Web: www.mestar.vn



SATURN

Typical order example

Photometric data


SATURN

Photometric data

Accessories

Wall mount adaptor (for Ø60) MA0318-WM	T shape pole mount adaptor (for square pole 100x100) MA0307-TM	Pole mount spigot (for pole Ø60) MA5401-PM	Pole mount spigot (for pole Ø76) MA5402-PM
L shape pole mount adaptor (for square pole 100x100) MA0310-LM	L shape pole mount adaptor (for pole Ø90) MA0309-LM	L shape pole mount adaptor (for pole Ø 76) MA0309a-LM	T shape pole mount adaptor (for pole Ø60) MA0306-TM
T shape pole mount adaptor (for pole Ø76) MA0308-TM	T shape pole mount adaptor (for pole Ø90) MA0308a-TM	Quad mount adaptor (for pole Ø90) MA03015-QM	Triple mount adaptor (for pole Ø90) MA0314-QM



SATURN

Accessories

Corner mount adaptor

MA1902-CM

Post top mount adaptor
(for pole Ø76)

MA0316-PM

Twin mount adaptor
(for pole Ø90)

MA0313-TP



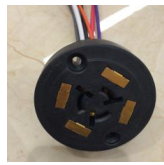
3pin NEMA socket

MAA0002-3P



5pin NEMA socket

MAA0003-5P



7pin NEMA socket

MAA0004-7P

Photocell control
(for On-Off function only)

MAA0001-PH



shorting cap

MAA0001-SC

